

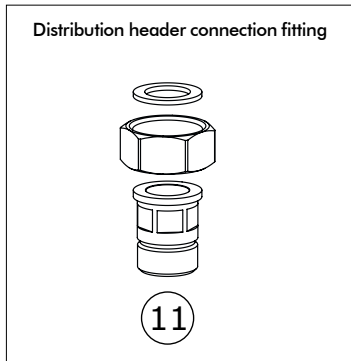
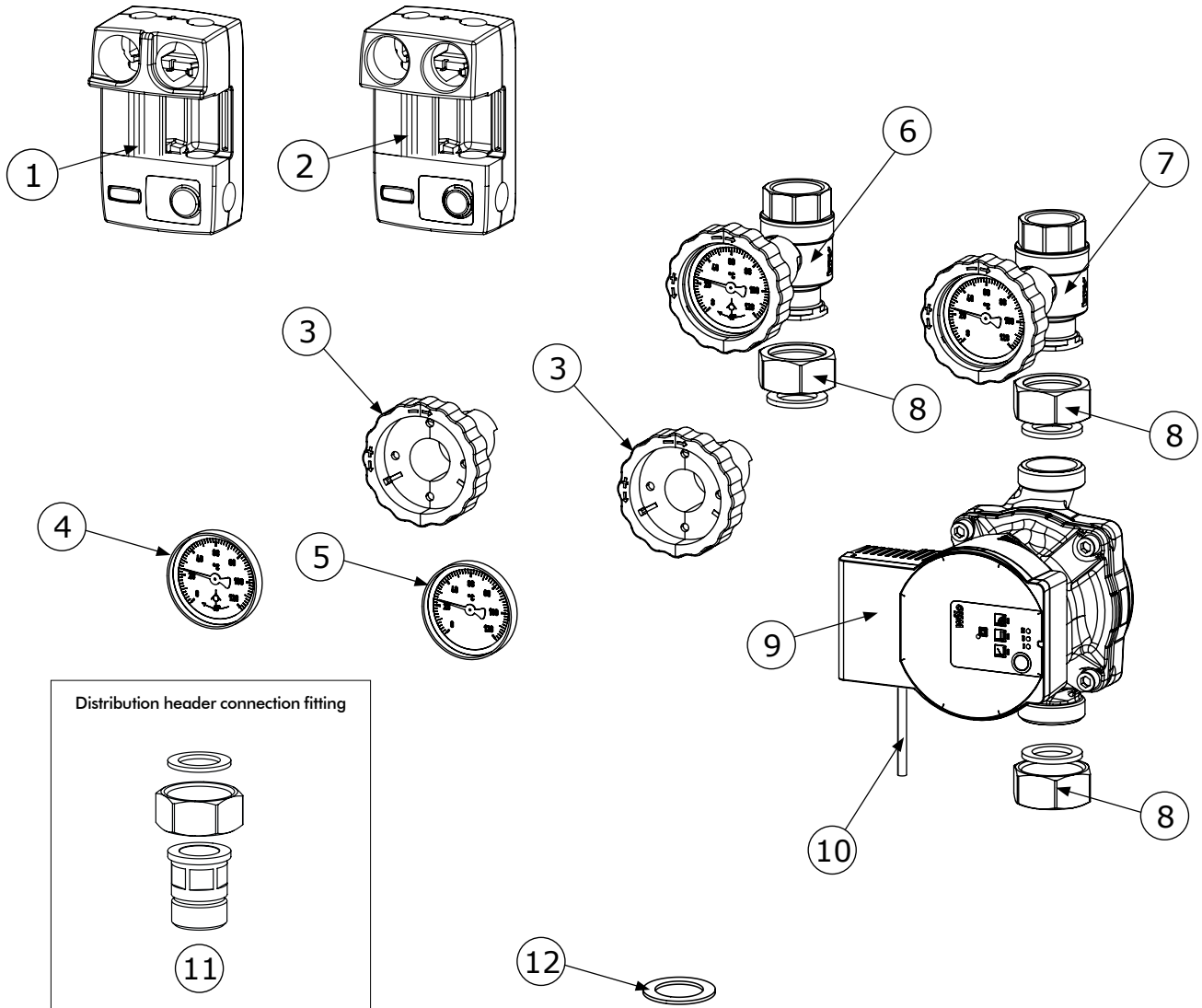


# MODVLS

PUMPENGRUPPEN

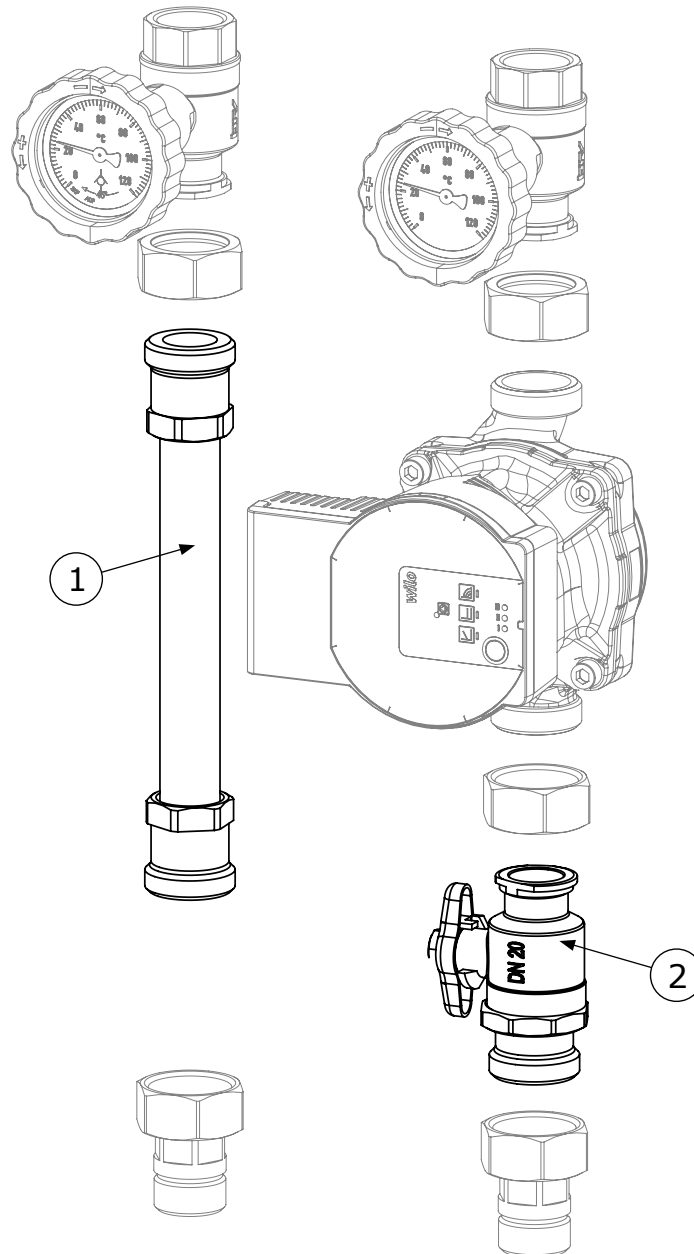
ERSATZTEILE

## Basiskomponenten – Serie DN20



Ref.	Code	Description
1	SET-ISOL-DN20	Modvlvs DN20 insulation box
2	SET-ISOL-DN20B	Modvlvs OEM DN20 black insulation box
3	BEISPT-50	Thermometer holder handle
4	DDOYBVNR-50	Blue thermometer with non return valve symbol
5	DDOYR-50	Red thermometer
6	03553RMS-TER-B	Return ball valve with non return valve and blue thermometer
7	03553AMS-TER-R	Supply ball valve with red thermometer
8	AYHT04SET	Set 1" nut and EPDM gasket
9	PARA15/6	Wilo Para 15/6 SC circulating pump provided with power cable
	PARA15/8	Wilo Para 15/8 SC circulating pump provided with power cable
	SET-UPM3S/15	Set Grundfos UPM3S Auto 15-60 circulating pump provided with power cable
10	CAVOCIRC-A	Power cable for Wilo Para circulating pumps, 1 m length
	CAVOPOT90-UPM	Power cable for Grundfos UPM3 circulating pumps, 1m length
11	103629F	Set 1" nut, EPDM gasket and 3/4" male adapter
12	SET-BHMX03E	1" EPDM peroxide gasket (20 pcs)

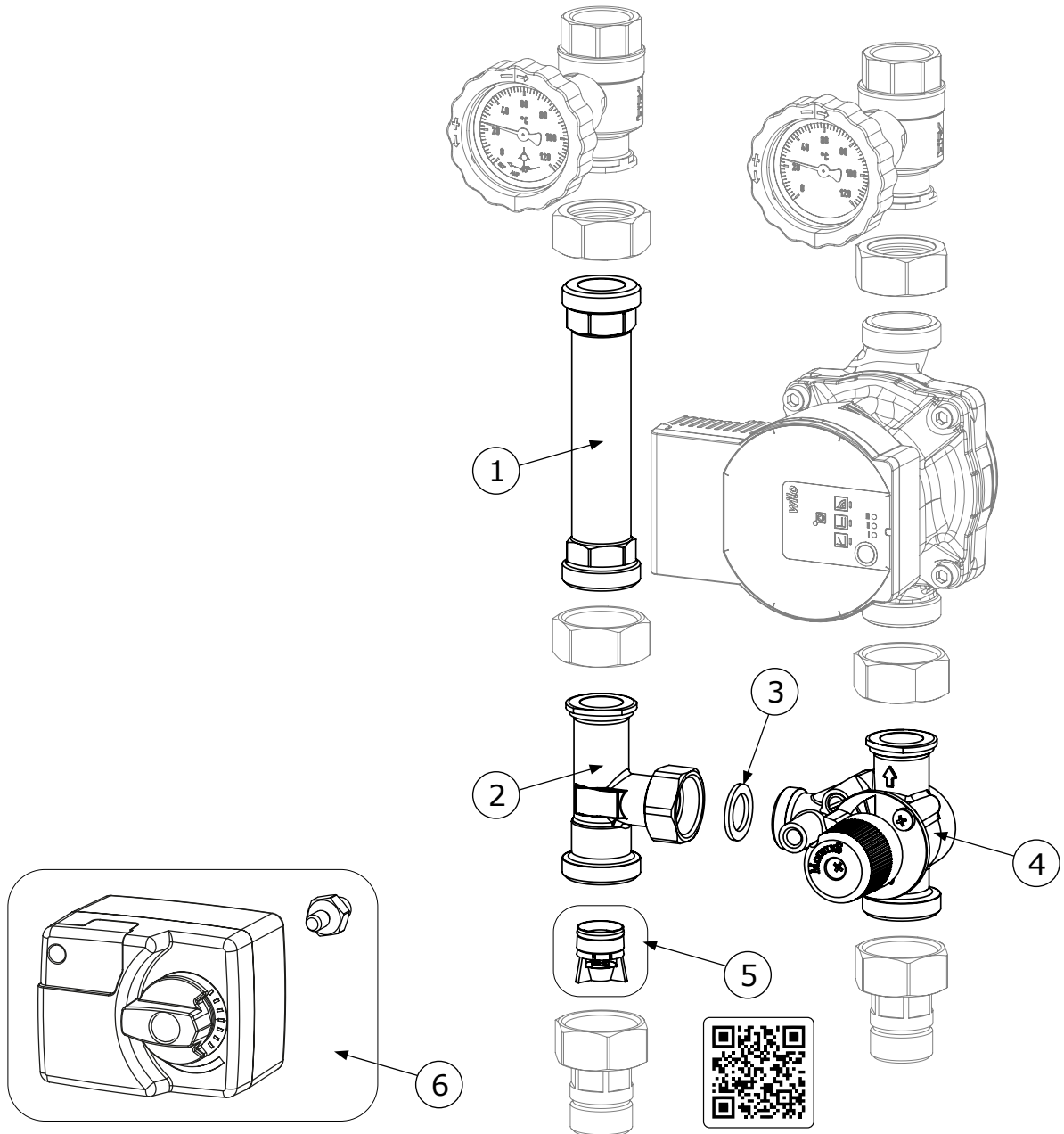
## M2 Pumpengruppen – Serie DN20 Art-Nr. 20255B (-P6/UL7)



Ref.	Code	Description
1	CFHG04M2M	Long connecting pipe for unmixed pump units
2	03553AMMS	Supply ball valve with T-handle

Für weitere Ersatzteile siehe Basiskomponenten DN20 (Seite 2)

## MIX 3 / MIX33 Pumpengruppen – Serie DN20 Art-Nr. 20255B-M33-P6TRM und 20255B-M33-U7TRM

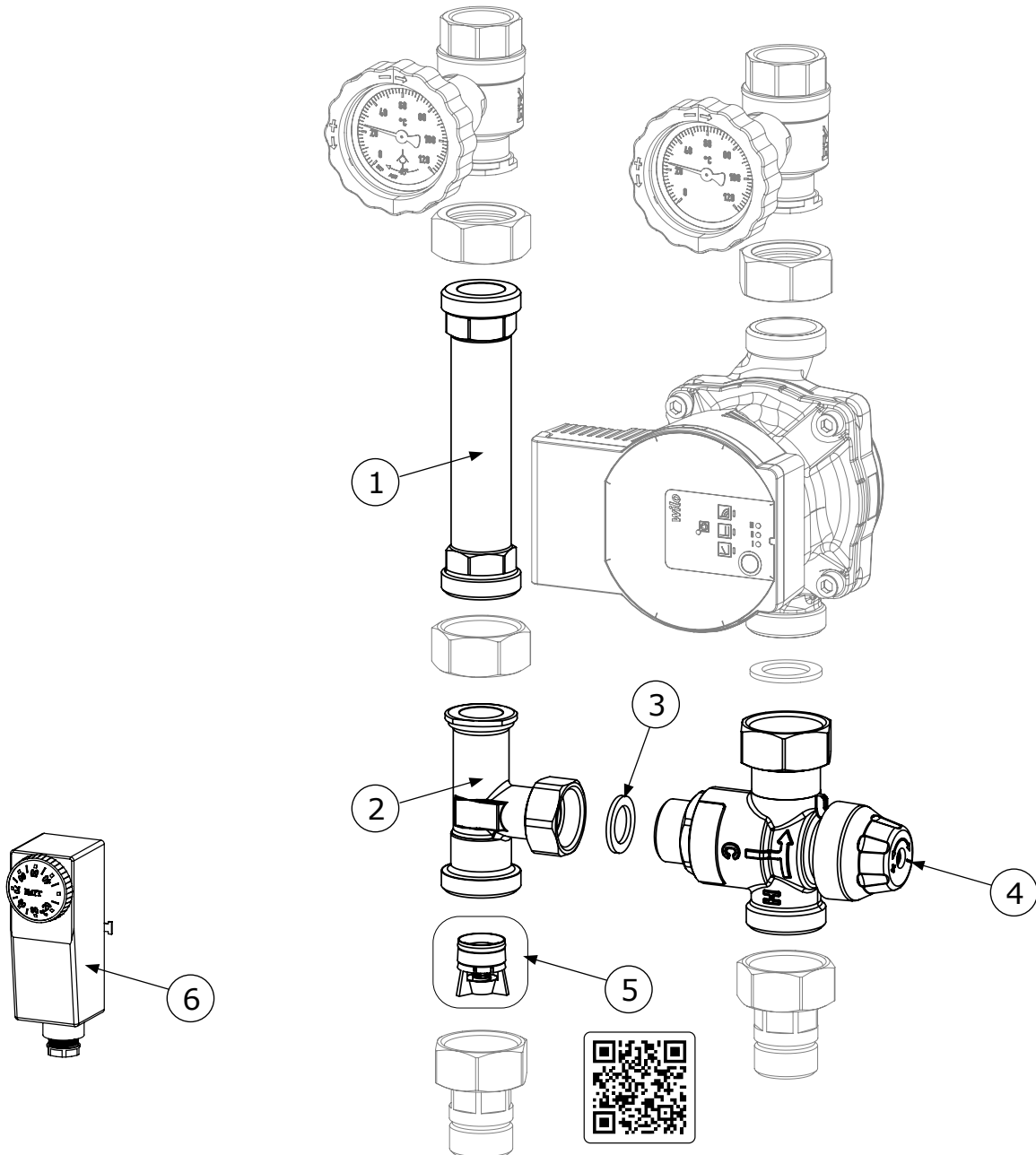


Ref.	Code	Description
1	CYNV04640	Short connecting brass pipe for mixed pump units, 130 mm
2	R021050L	T-connection for 3-way mixing valve
3	SET-CTIL03	3/4" fiber gasket (50 pcs)
4	M021050L	3-way mixing valve, Art. 1050
	M021051L	3-way mixing valve with by-pass, Art. 1051
5	CRKZ20TOT	Set 20 mbar non return valve, optional
6	TRM20	3 points bidirectional servomotor. 2 Nm, 230V

Für weitere Ersatzteile siehe Basiskomponenten DN20 (Seite 2)

## FIX3 Pumpengruppen – Serie DN20

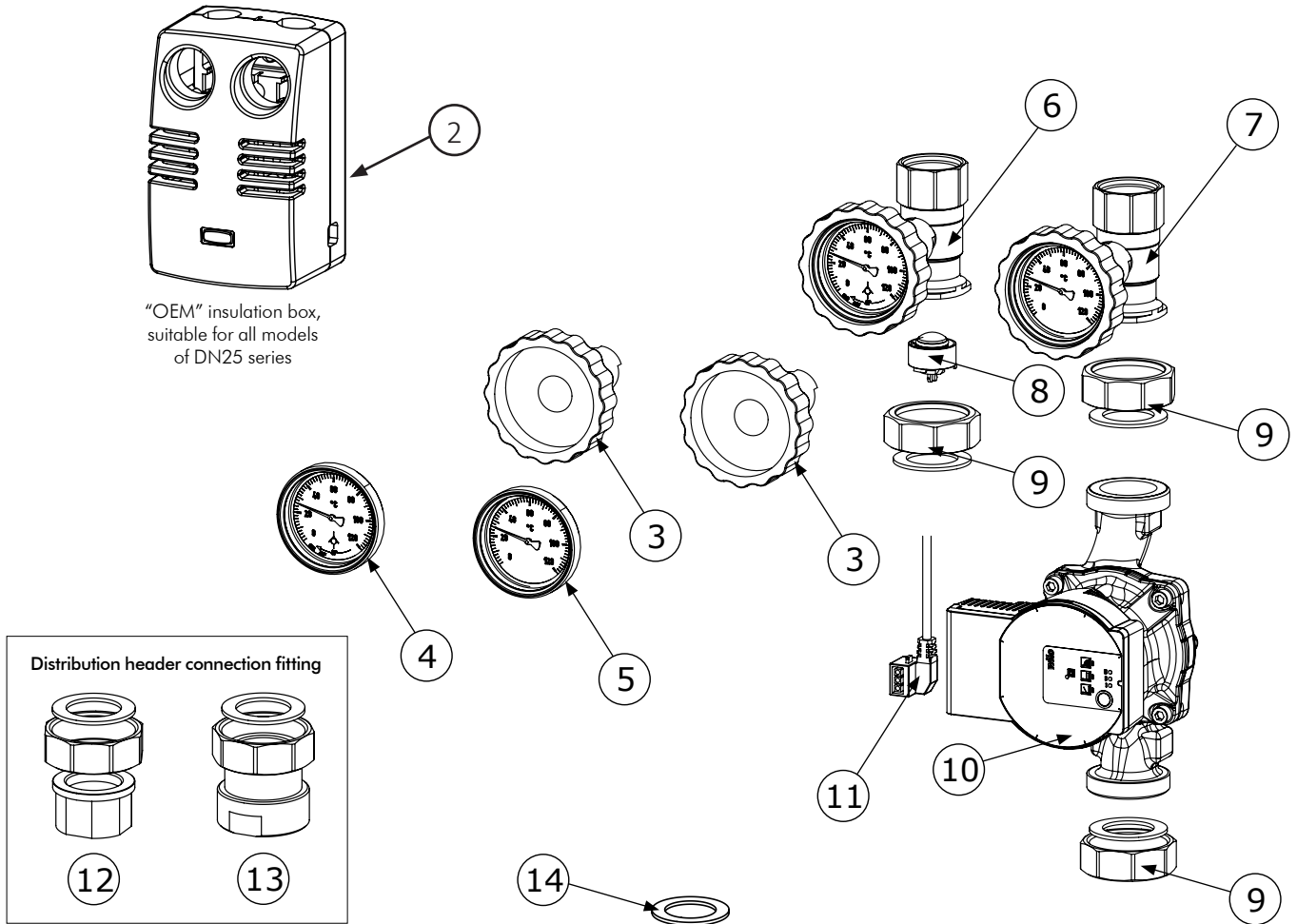
Art.Nr. 20255B-F1/F2-P6 und 20255B-F1/F2-UL7



Ref.	Code	Description
1	CYNV04640	Short connecting brass pipe for mixed pump units, 130 mm
2	R021050L	T-connection for 3-way mixing valve
3	SET-CTI03	3/4" fiber gasket (50 pcs)
4	04731C-04-F1-20M	"F1" Fixed temperature thermostatic mixing valve, range 20-45°C, Kvs 2.5
	04731C-04-F2-20M	"F2" Fixed temperature thermostatic mixing valve, range 45-70°C, Kvs 2.5
5	CRKZ20TOT	Set 20 mbar non return valve, optional
6	BRC	Safety bimetallic thermostat, range 20-90°C, optional

Für weitere Ersatzteile siehe Basiskomponenten DN20 (Seite 2)

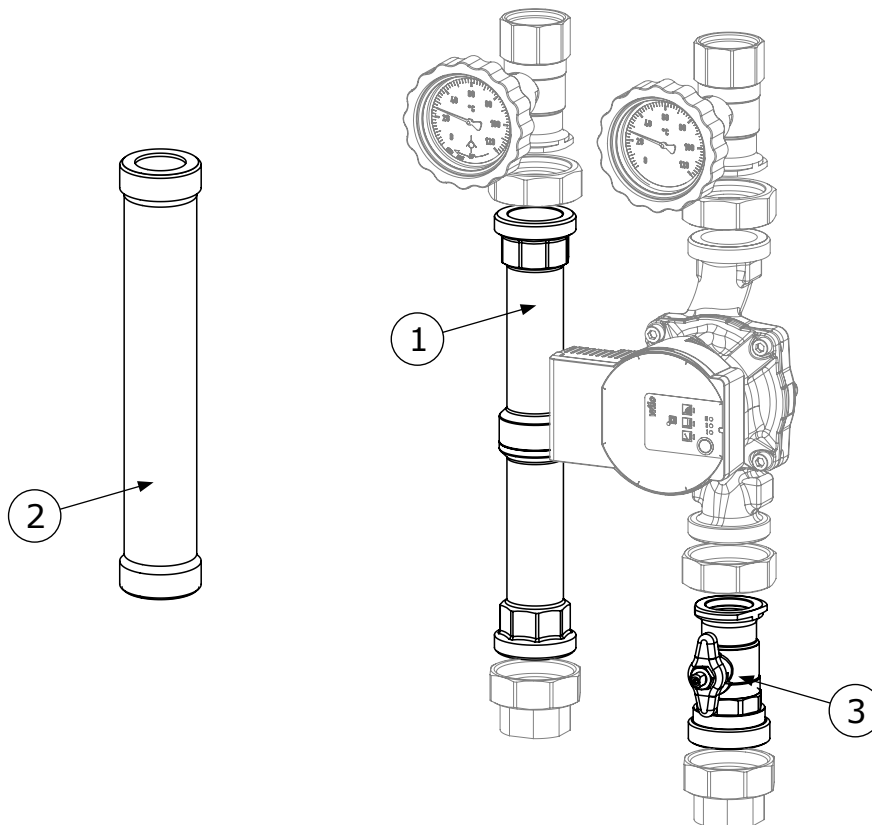
## Basiskomponenten – Serie DN25



Ref.	Code	Description
2	SET-ISOL-M3B	Modvlvs OEM DN25 black insulation box
3	BEISPT	Thermometer holder handle
4	DDOYBVNR	Blue thermometer with non return valve symbol
5	DDOYR	Red thermometer
6	0355AMS-TER-B	Return ball valve with non return valve and blue thermometer
7	0355AMS-TER-R	Supply ball valve with red thermometer
8	10101	20 mbar non return valve
9	AYHT26SET	Set 1"1/2 nut and EPDM gasket
10	PARA25/6	Wilo Para 25/6 SC circulating pump provided with power cable
	PARA25/8	Wilo Para 25/8 SC circulating pump provided with power cable
	SET-UPM3S/25	Set Grundfos UPM3S Auto 25-60 circulating pump provided with power cable
	SET-STG25/7	Set Wilo Para STG 25/7 circulating pump provided with power and control cables
11	PARA25/6-B	Wilo Para Basic 25/6 circulating pump provided with power cable
	CAVOCIRC-A	Power cable for Para circulating pumps, 1 m length
	CAVOPOT90-UPM	Power cable for Grundfos UPM3 circulating pumps, 1m length
12	104629F	Set 1"1/2 nut, EPDM gasket and 1" female adapter
13	104629F-05	Set 1"1/2 nut, EPDM gasket and 1"1/4 female adapter

## M2 Pumpengruppen – Serie DN25

Art. Nr. 21355B

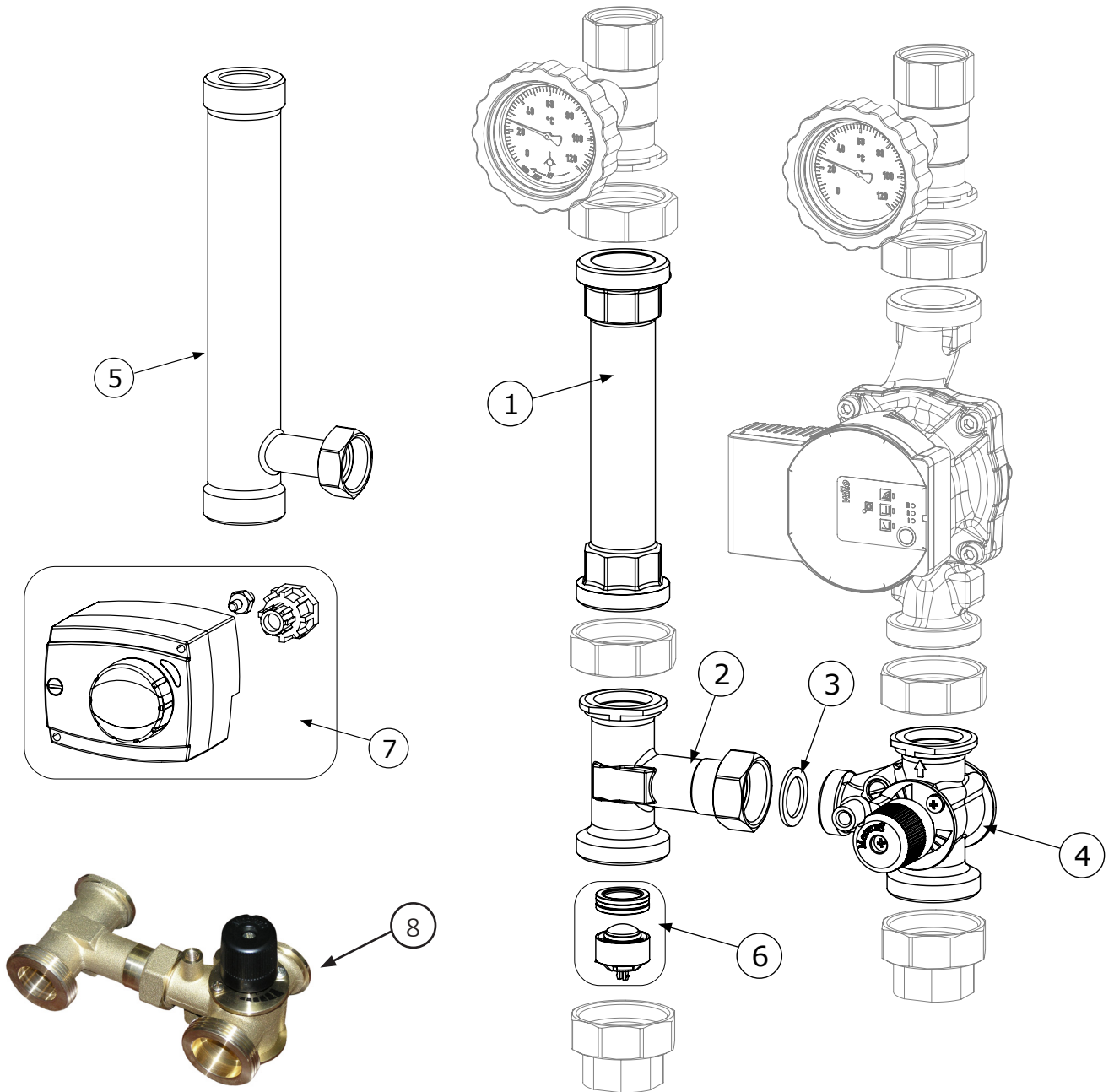


Ref.	Code	Description
1	CYNV138635	Long connecting brass pipe for unmixed pump units
2	CFIR264	Long iron connecting pipe with cataphoresis treatment for unmixed pump units
3	0355AMMS	Supply ball valve with T-handle

Für weitere Ersatzteile siehe Basiskomponenten DN25 (Seite 6)

## MIX3 / MIX33 Pumpengruppen – Serie DN25

### Art. Nr. 23355B-M33 und 23355B-M33-M21

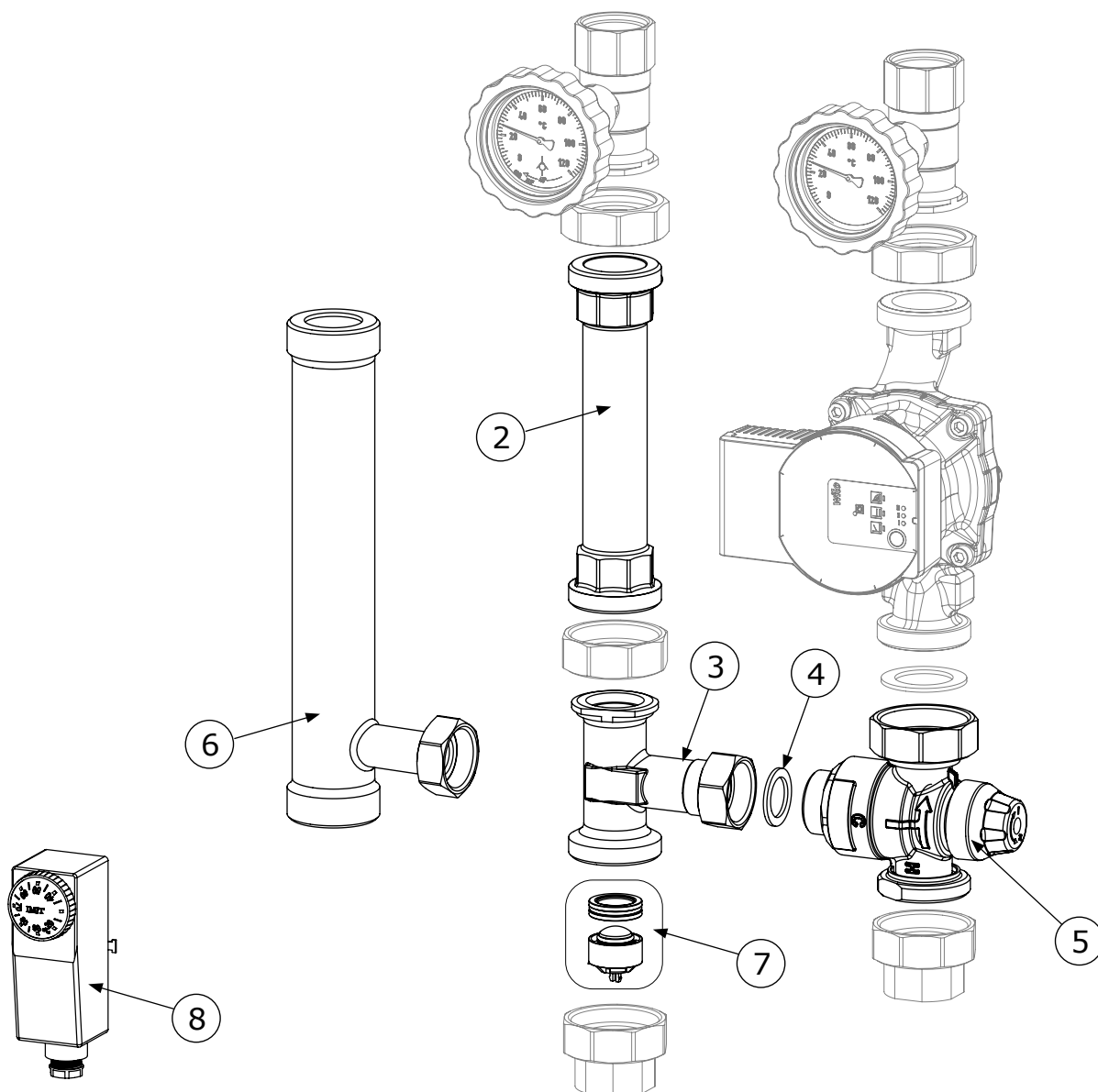


Ref.	Code	Description
1	CYNV180635	Short connecting brass pipe for mixed pump units, 180 mm
2	R041050	T-connection for 3-way mixing valve
3	SET-CTIL04	1" fiber gasket (50 pcs)
4	M041050	3-way mixing valve, Art. 1050
	M041051	3-way mixing valve with by-pass, Art. 1051
5	CFIR264-M3M	Iron connecting pipe with cataphoresis treatment for pump units provided with rotary mixing valve
6	SET10101	Set 20 mbar non return valve with washer, optional
7	M21D	3 points bidirectional servomotor. 5 Nm, 2 min, 230V
	AHD20	Climatic control unit with servomotor and external probe. 6 Nm, 2 min 230V
8	1041051-ÜM	3-Wege-Mischer 3WM 1" mit Bypass inkl. Überwurfmutter



## FIX3 Pumpengruppen – Serie DN25

Art. Nr. 23355B-F1/F2

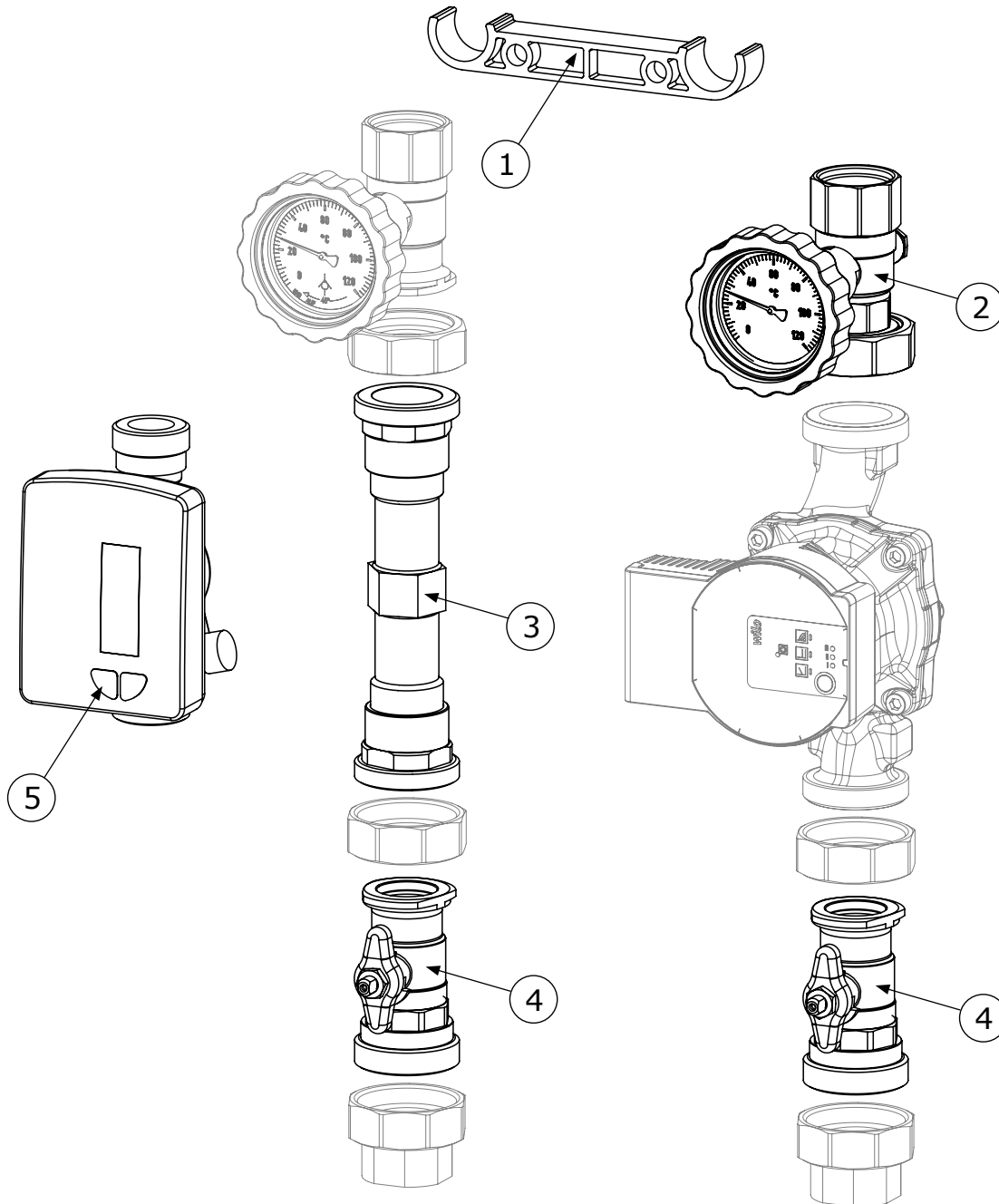


Ref.	Code	Description
1	SET-ISOL-FIX	ModvlvS DN25 Fix insulation box
2	CYNV180635	Short connecting brass pipe for mixed pump units, 180 mm
3	RO41050VTAR	T-connection for fixed temperature thermostatic mixing valve
4	SET-CTILO4	1" fiber gasket (50 pcs)
5	04736-F1	"F1" Fixed temperature thermostatic mixing valve, range 20-45°C, Kvs 2.5
	04736-F2	"F2" Fixed temperature thermostatic mixing valve, range 45-70°C, Kvs 2.5
	04736-F3	"F3" Fixed temperature thermostatic mixing valve, range 20-45°C, Kvs 4.0
	04736-F4	"F4" Fixed temperature thermostatic mixing valve, range 45-70°C, Kvs 4.0
	04736-F5	"F5" Fixed temperature thermostatic mixing valve, range 35-60°C, Kvs 4.0
6	CFIR264-F3M	Iron pipe with cataphoresis treatment for modules with fixed temperature thermostatic mixing valve
7	SET10101	Set 20 mbar non return valve with washer, optional
8	BRC	Safety bimetallic thermostat, range 20-90°C, optional

Für weitere Ersatzteile siehe Basiskomponenten DN25 (Seite 6)

## ENERGY Pumpengruppen – Serie DN25

Art. Nr. 233518B-20 und 233518B-M33-20

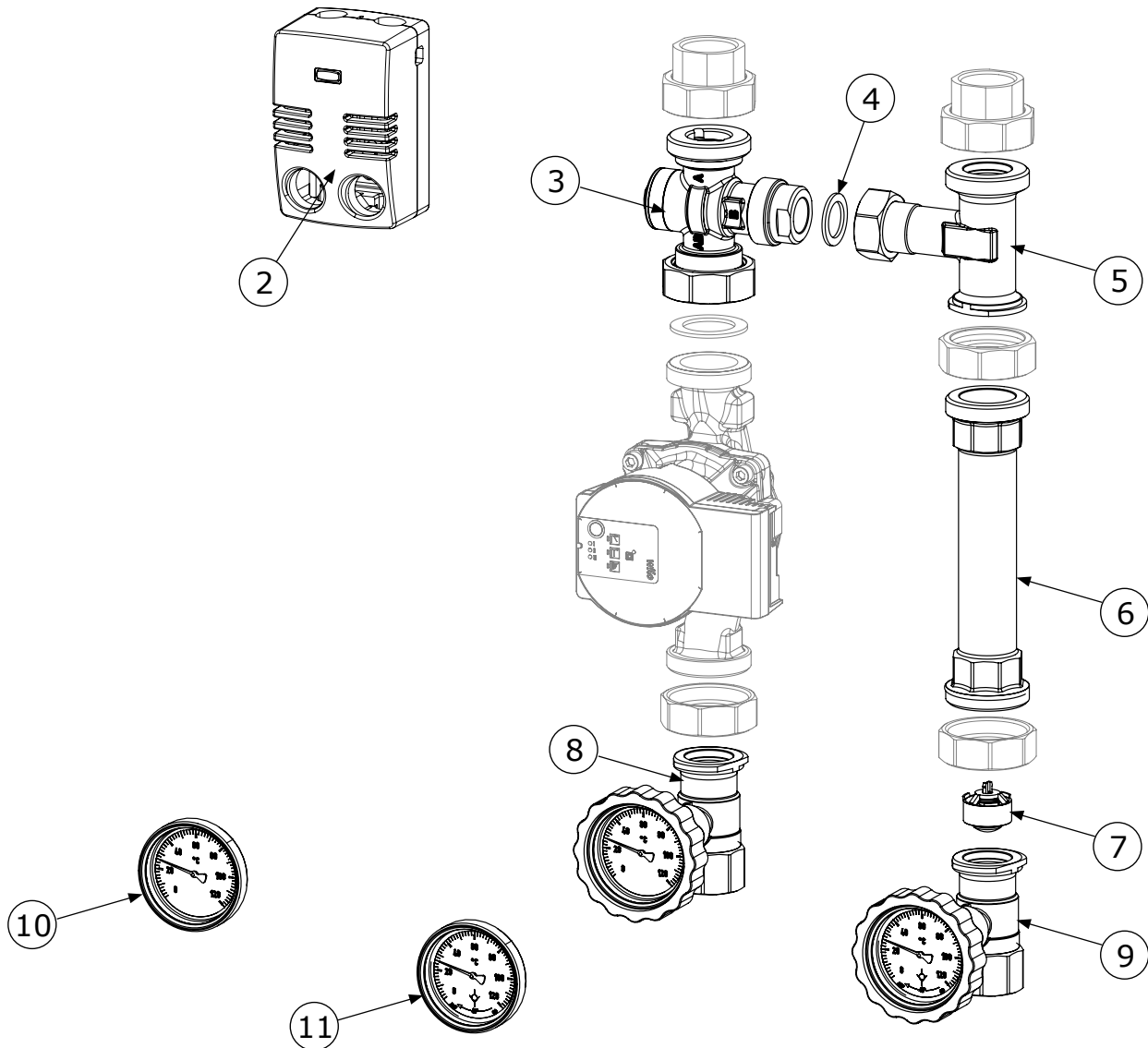


Ref.	Code	Description
1	DAOAMOD	Spacer bracket for thermometer handles
2	03518/GTER-R	Supply ball valve with sealable M10x1 ø5x45 mm connection for temperature probe
3	04670SET	Set connection and fittings for DN20 130mm meter
4	0355AMMS	Supply ball valve with T-handle
5	G21MID-2.5	MID approved energy meter - DN20 - Qn 2.5: 3/4" MID, 1" thread, 130 mm length

Für weitere Ersatzteile siehe Basiskomponenten DN25 (Seite 6)

## M2 FIX3 CS Pumpengruppen – Serie DN25

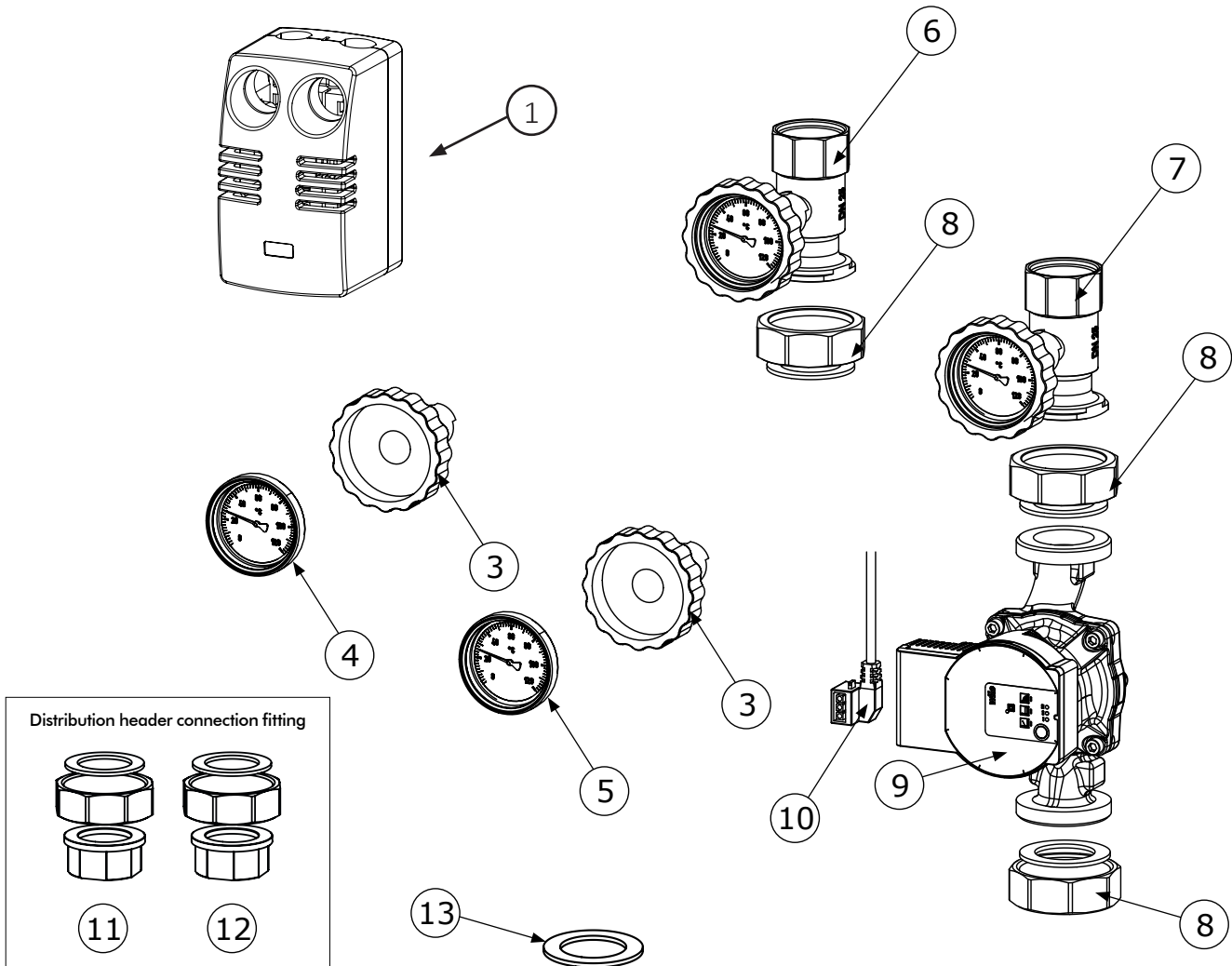
Art. Nr. 20355B-F5CS



Ref.	Code	Description
2	SET-ISOL-M3B	Modvlvs DN25 OEM black insulation box
3	04746-60/M	"F3" thermic valve with 60°C opening temperature
	04746-45/M	"F4" thermic valve with 45°C opening temperature
	04746-55/M	"F5" thermic valve with 55°C opening temperature
4	SET-CTIL04	1" fiber gasket (50 pcs)
5	R041050	T-connection for thermic valve
6	CYNV180635	Short connecting brass pipe for mixed pump units, 180 mm
7	10101	20 mbar non return valve
8	0355AMS-TER-BN	Return ball valve with blue thermometer
9	0355AMS-TER-RCS	Supply ball valve with non return valve and red thermometer
10	DDOYB	Blue thermometer for anti condensation pump units
11	DDOYR-CS	Red thermometer with non return valve symbol for anti condensation pump units

Für weitere Ersatzteile siehe Basiskomponenten DN2 (Seite 6)

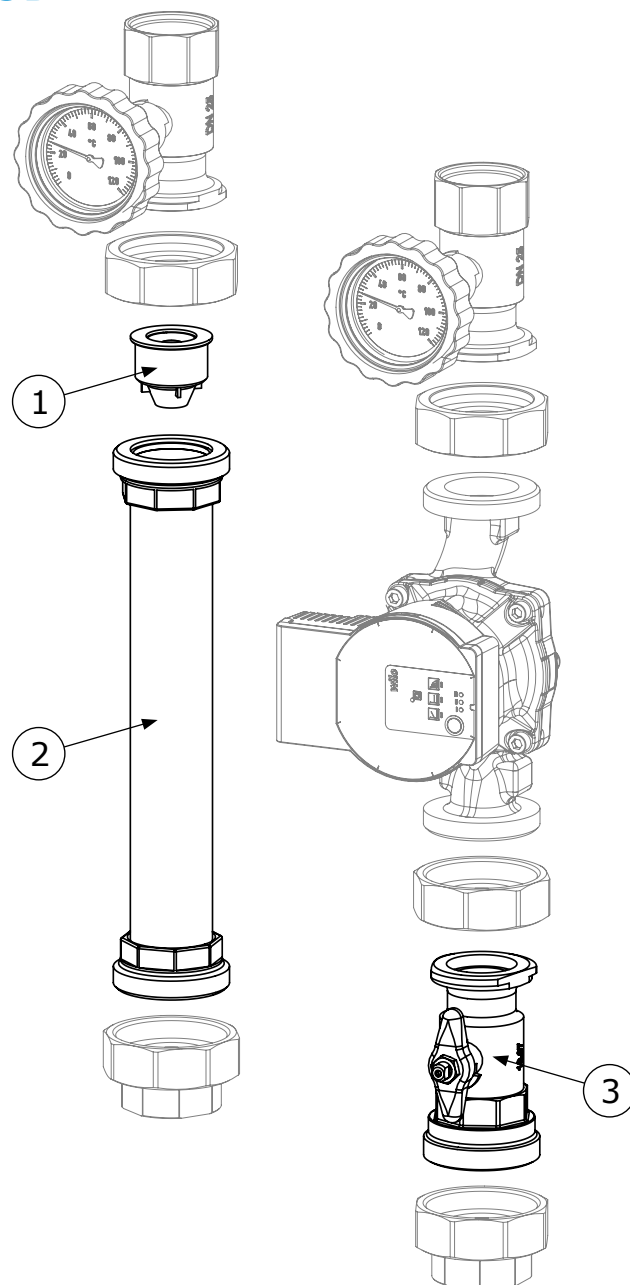
## Basiskomponenten – Serie DN32



Ref.	Code	Description
1	SET-ISOL-M305	Modvlvs DN32 insulation box
2	SET-ISOL-M305B	Modvlvs OEM DN32 black insulation box
3	BEISPT	Thermometer holder handle
4	DDOYB	Blue thermometer
5	DDOYR	Red thermometer
6	0555AMS-TER-B	Return ball valve with blue thermometer
7	0555AMS-TER-R	Supply ball valve with red thermometer
8	AYHT07SET	Set 2" nut and EPDM gasket
9	ALPHA2L-32/6	Grundfos Alpha 1 L 32-60 circulating pump provided with power cable
	PARA30/7	Wilo Para 30/8 SC circulating pump provided with power cable
	SET-MA30/8	Wilo Para Maxo 30-180-08 circulating pump pre-cabled
10	CAVOCIRC-A	Power cable for Wilo Para circulating pumps, 1 m length
	CAVOPOT90-UPM	Power cable for Wilo Para Maxo circulating pumps, 1 m length
11	105629F	Set 2" nut, EPDM gasket and 1 1/4" female adapter
12	105629F-04	Set 2" nut, EPDM gasket and 1" female adapter
13	SET-BHMX07E	2" EPDM peroxide gasket (20 pcs)

## M2 Pumpengruppen – Serie DN32

### Art. Nr. 20555B

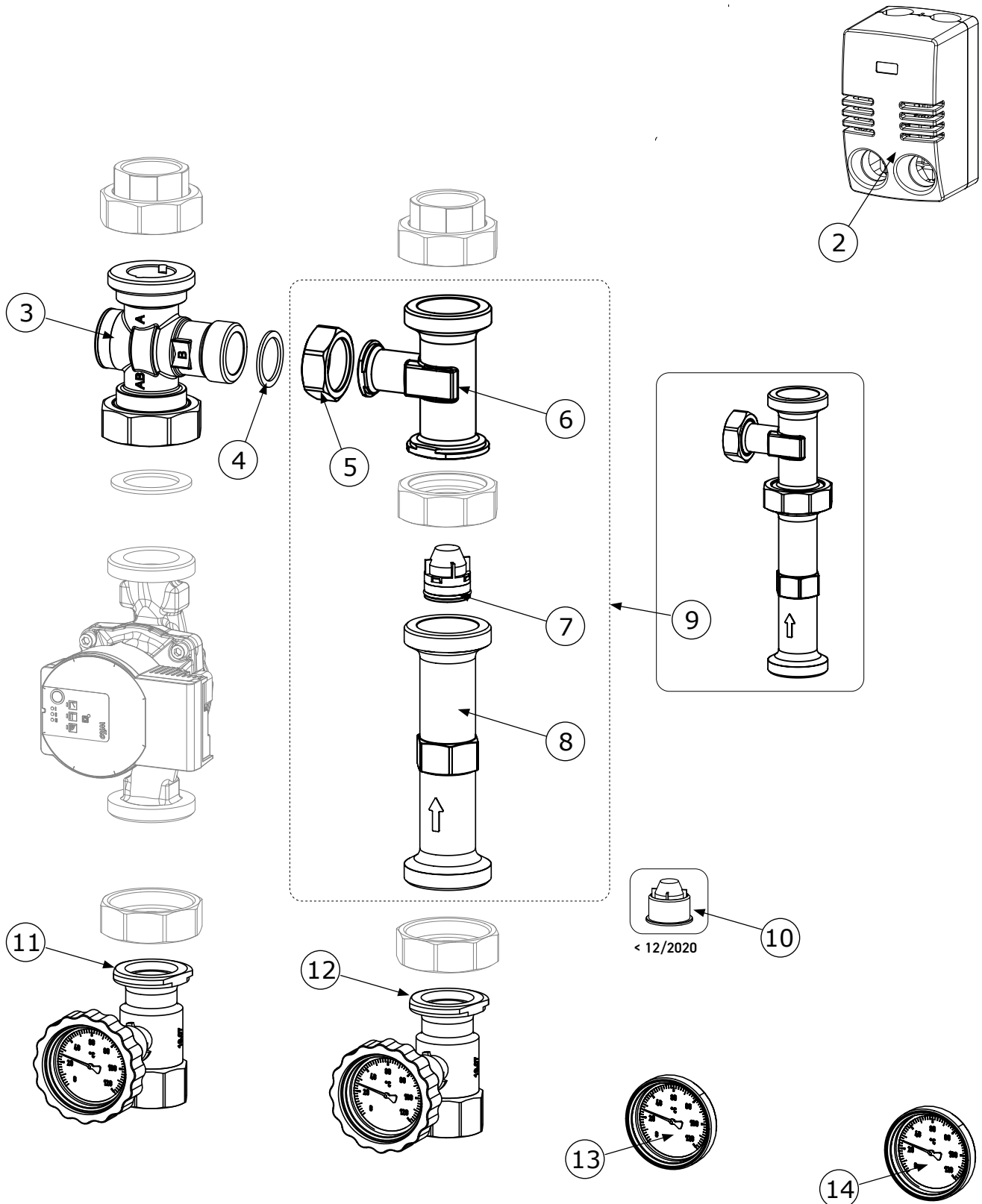


Ref.	Code	Description
1	10105	Bush with 20 mbar non return valve
2	CFHG05M	Long connecting pipe for unmixed pump units
3	0555AMMS	Supply ball valve with red thermometer

Für weitere Ersatzteile siehe Basiskomponenten DN32 (Seite 12)

## M2 FIX3 CS Pumpengruppen – Serie DN32

Art. Nr. 20555B-F5CS

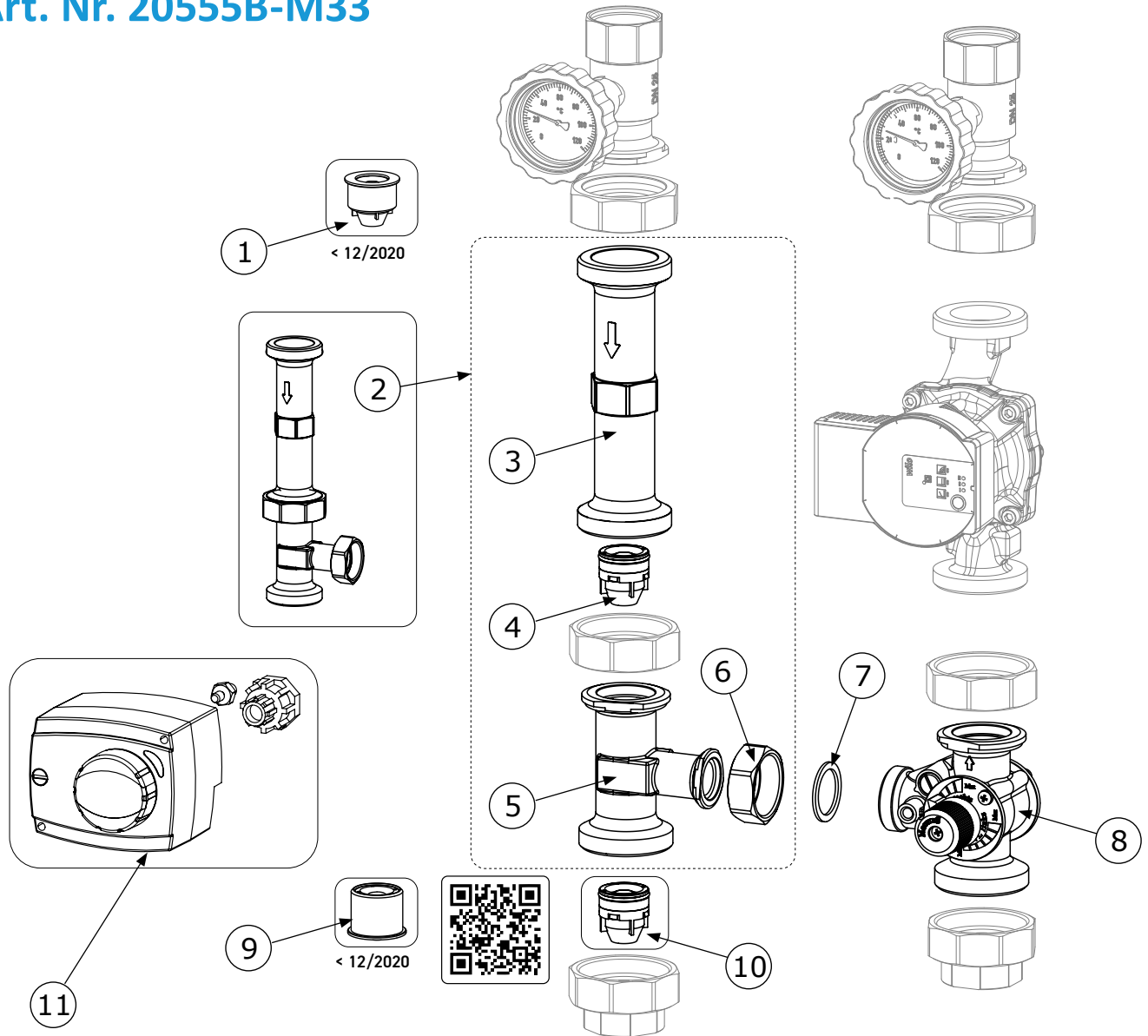


## M2 FIX3 CS Pumpengruppen – Serie DN32

Ref.	Code	Description
2	SET-ISOL-M305B	ModvlvS DN32 OEM black insulation box
3	05746DN32-60/M	"F3" thermic valve with 60°C opening temperature
	05746DN32-45/M	"F4" thermic valve with 45°C opening temperature
	05746DN32-55/M	"F5" thermic valve with 55°C opening temperature
4	SET-CTIL05	1"1/4 fiber gasket (50 pcs)
5	BLFL05654P	1"1/4 Nut
6	CYNV061050	T-connection for thermic valve
7	CRKZOV32	20 mbar non return valve (for units with connecting brass pipe, starting from January 2021)
8	CYNV180635-32	Short connecting brass pipe for mixed pump units, 180 mm
9	R051050	Complete return connection set for DN32 mixed pump units
10	10105	Bush with 20 mbar non return valve (for groups with copper pipe, until December 2020 )
11	0555AMS-TER-B	Return ball valve with blue thermometer
12	0555AMS-TER-R	Supply ball valve with red thermometer
13	DDOYB	Blue thermometer
14	DDOYR	Red thermometer

Für weitere Ersatzteile siehe Basiskomponenten DN32 (Seite 12 )

## M2 MIX 3 / MIX33 Pumpengruppen – Serie DN32 Art. Nr. 20555B-M33

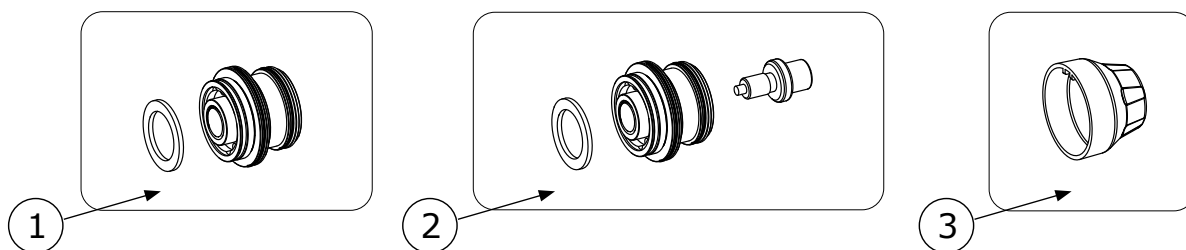
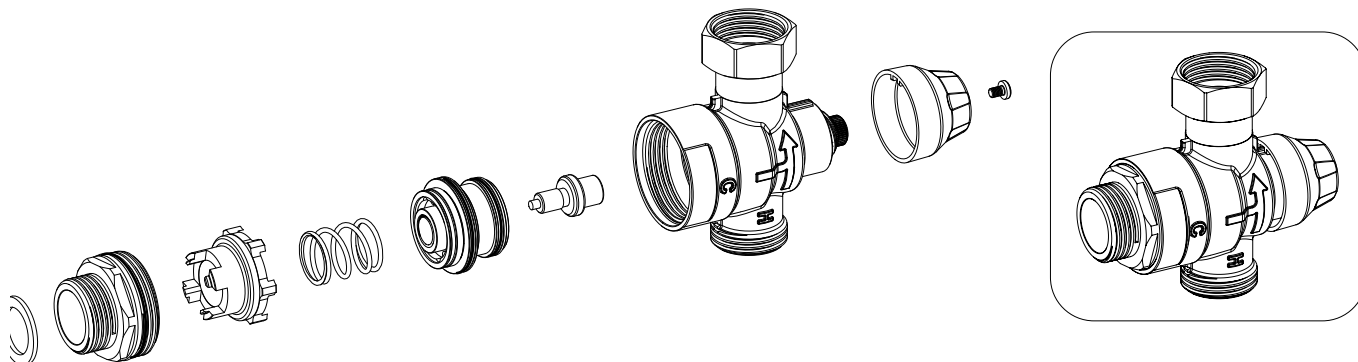


Ref.	Code	Description
1	10105	Bush with 20 mbar non return valve (for groups with copper pipe, until December 2020 )
2	R051050	Complete return connection set for DN32 mixed pump units
3	CYNV180635-32	Short connecting brass pipe for mixed pump units, 180 mm
4	CRKZOV32	20 mbar non return valve (for units with connecting brass pipe, starting from January 2021)
5	CYNV061050	T-connection for 3-way mixing valve
6	BLFL05654P	1"1/4 Nut
7	SET-CTIL05	1"1/4 fiber gasket (50 pcs)
8	1051050	3-way mixing valve, Art. 1050
	1051051	3-way mixing valve with by-pass, Art. 1051
9	SET10105	Set 20 mbar non return valve, optional (for groups with copper pipe, until December 2020 )
10	CRKZOV32	20 mbar non return valve, optional (for units with connecting brass pipe, starting from January 2021)
11	M21D	3 points bidirectional servomotor. 5 Nm, 2 min, 230V
	AHD20	Climatic control unit with servomotor and external probe. 6 Nm, 2 min 230V

Für weitere Ersatzteile siehe Basiskomponenten DN32 (Seite 12 )



## Mischventil F1/F2 (ab 09/2019)



✓ DN25 pump units: F1, F2, F5

### DN25 - Kvs 2,5

Ref.	Code	Description
1	T736-25-2.5	Replacement shutter kit for all DN25 Kvs 2.5 thermostatic mixing valves
2	REPAIR-F1-25	Replacement kit containing Kvs 2.5 cartridge and sensor - Temperature 20-45°C
	REPAIR-F2-25	Replacement kit containing Kvs 2.5 cartridge and sensor - Temperature 45-70°C
	REPAIR-F5-25-2.5	Replacement kit containing Kvs 2.5 cartridge and sensor - Temperature 35-60°C
3	EBMH04736-F1	"F1" knob, for mixing valves 20-45°C
	EBMH04736-F2	"F2" knob, for mixing valves 45-70°C
	EBMH04726	"F5" knob, for mixing valves 35-60°C

✓ DN25 pump units: F3, F4, F5

✓ 687 / DomvS Clima: F3, F5

✓ ModvFresh 1: Kvs 4,0 - 35-60°C

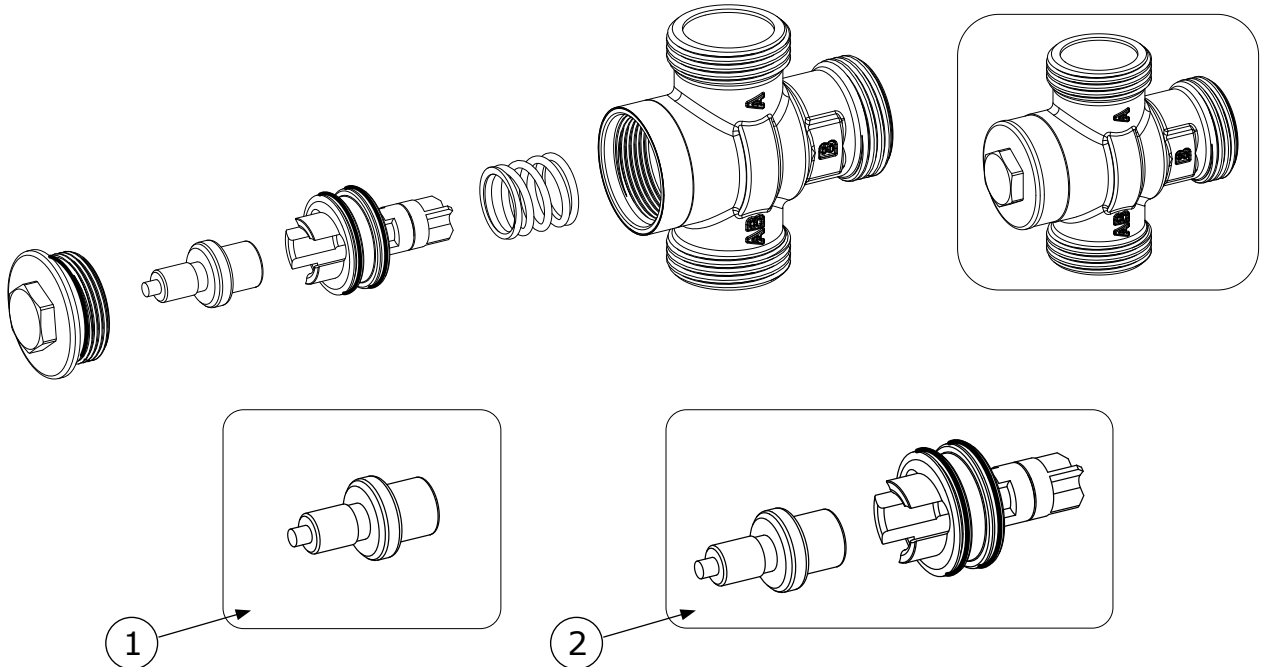
✓ DomvS Circ 1: Kvs 4,0 - 35-60°C

✓ DomvS Circ 2: Kvs 4,0 - 35-60°C

### DN25 - Kvs 4,0

Ref.	Code	Description
1	T736-25-4.0	Replacement shutter kit for all DN25 Kvs 4.0 thermostatic mixing valves
2	REPAIR-F3-25	Replacement kit containing Kvs 4.0 cartridge and sensor - Temperature 20-45°C
	REPAIR-F4-25	Replacement kit containing Kvs 4.0 cartridge and sensor - Temperature 45-70°C
	REPAIR-F5-25-4.0	Replacement kit containing Kvs 4.0 cartridge and sensor - Temperature 35-60°C
3	EBMH04736-F3	"F3" knob, for mixing valves 20-45°C
	EBMH04736-F4	"F4" knob, for mixing valves 45-70°C
	EBMH04726	"F5" knob, for mixing valves 35-60°C

## Thermoelement Rücklaufanhebung DN20 / DN25



✓ DN20 pump units: F3CS, F4CS, F5CS

✓ DN25 pump units: F3CS, F4CS, F5CS

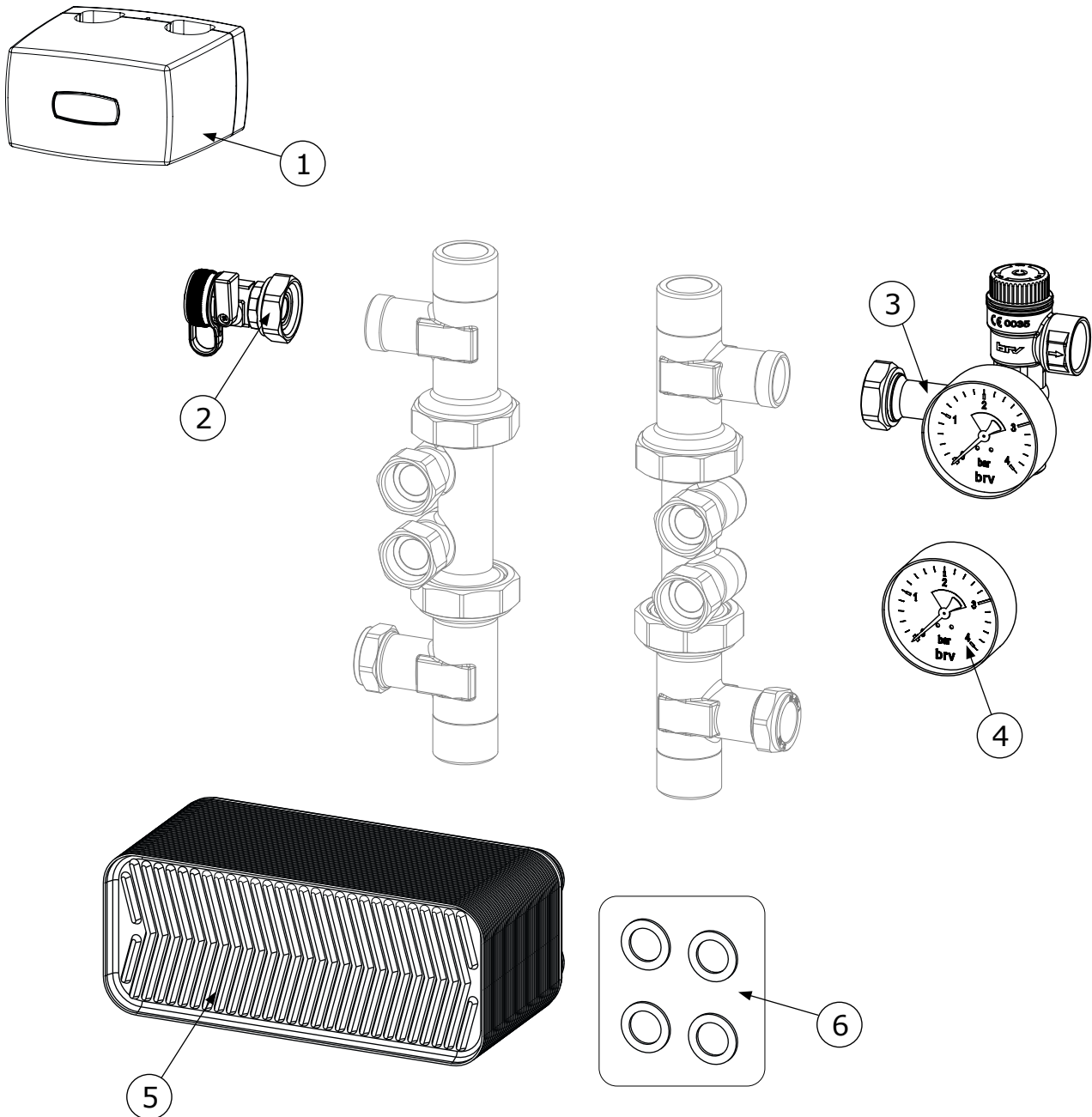
Ref.	Code	Description
1	T740-DN25-45	Thermostatic bulb for anti-condensation valves - Temperature 45°C
	T740-DN25-55	Thermostatic bulb for anti-condensation valves - Temperature 55°C
	T740-DN25-60	Thermostatic bulb for anti-condensation valves - Temperature 60°C
	T740-DN25-70	Thermostatic bulb for anti-condensation valves - Temperature 70°C
	T740-DN25-80	Thermostatic bulb for anti-condensation valves - Temperature 80°C
2	T746-25-45	Thermostatic bulb and shutter set for anti-condensation valves - Temperature 45°C
	T746-25-55	Thermostatic bulb and shutter set for anti-condensation valves - Temperature 55°C
	T746-25-60	Thermostatic bulb and shutter set for anti-condensation valves - Temperature 60°C
	T746-25-70	Thermostatic bulb and shutter set for anti-condensation valves - Temperature 70°C
	T746-25-80	Thermostatic bulb and shutter set for anti-condensation valves - Temperature 80°C

✓ DN32 pump units: F3CS, F4CS, F5CS

Ref.	Code	Description
1	T740-DN32-45	Thermostatic bulb for anti-condensation valves - Temperature 45°C
	T740-DN32-55	Thermostatic bulb for anti-condensation valves - Temperature 55°C
	T740-DN32-60	Thermostatic bulb for anti-condensation valves - Temperature 60°C
	T740-DN32-72	Thermostatic bulb for anti-condensation valves - Temperature 72°C
2	T746-32-45	Thermostatic bulb and shutter set for anti-condensation valves - Temperature 45°C
	T746-32-55	Thermostatic bulb and shutter set for anti-condensation valves - Temperature 55°C
	T746-32-60	Thermostatic bulb and shutter set for anti-condensation valves - Temperature 60°C
	T746-32-72	Thermostatic bulb and shutter set for anti-condensation valves - Temperature 72°C

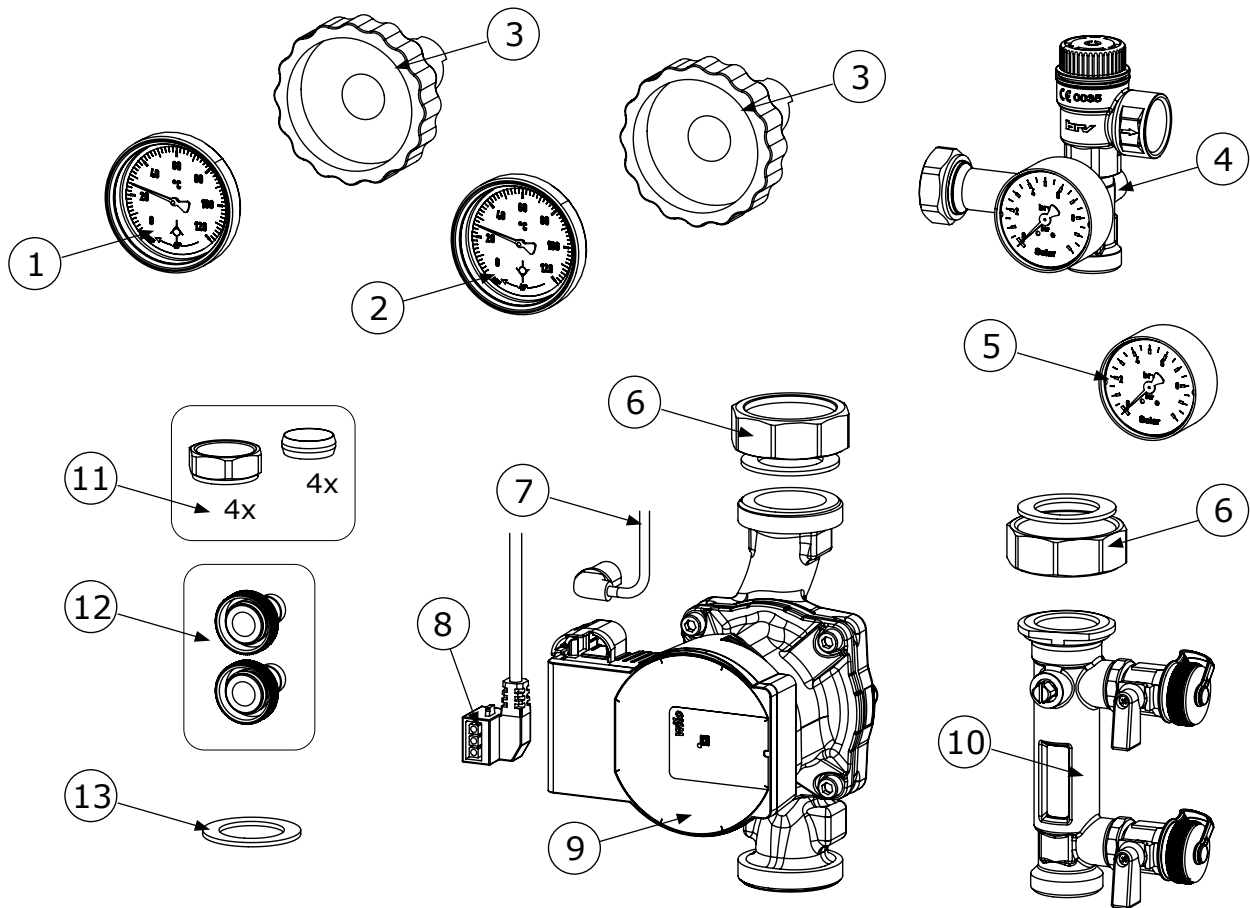
## M2 Wärmetauscher-Trennset – Serie DN25

Art. Nr. 203646xxkw



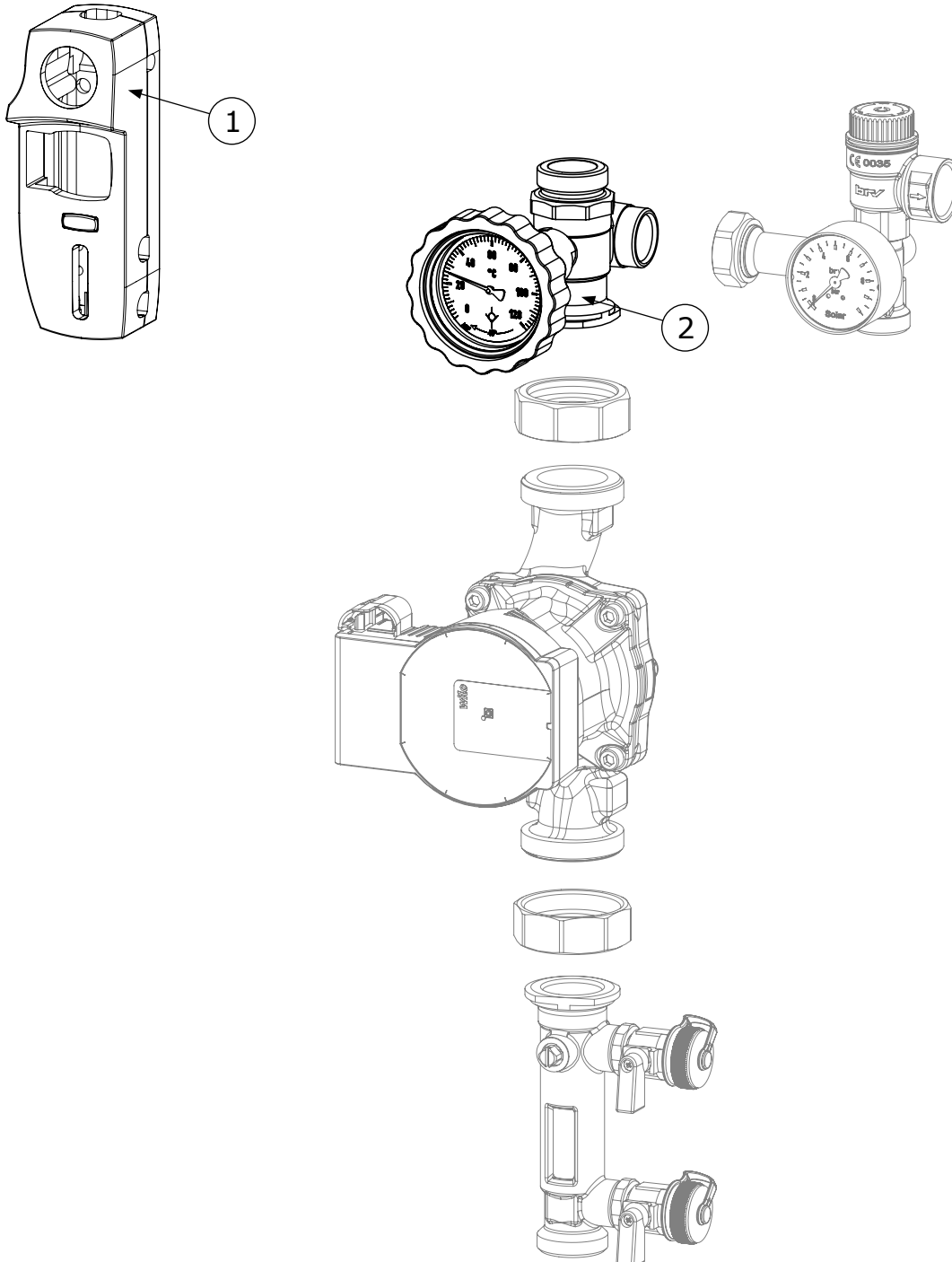
Ref.	Code	Description
1	SET-ISOL-EXC	M2 Exchange insulation box
2	01646R-430SCASET	Filling and draining valve
3	03647D-3C-4SET	Safety group 3 bar
4	DDOYHZ63	ø63 mm pressure gauge - 4 bar
5	E5PI14	Heat exchanger for 12 kW
	E5PI18	Heat exchanger for 16 kW
	E5PI24	Heat exchanger for 20 kW
	E5PI40	Heat exchanger for 30 kW
6	CTILO3ASET	3/4" fiber gasket for heat exchanger (20 pcs)

## Basiskomponenten MODVSOL – Solar Thermal



Ref.	Conn.	Code	Description
1		DDOYRS	Solar red thermometer mit non return valve symbol
2		DDOYBS	Solar blue thermometer with non return valve symbol
3		BEISPT	Thermometer holder handle
4		03647D-6S-10SET	Solar safety group, 6 bar
5		DDOYNG63	Solar pressure gauge ø50 mm - 10 bar
6		AYHT26SET	Set 1"1/2 nut and EPDM gasket
7		PRESAPR71B	PWM cable for Wilo Para circulating pumps
		CAVOPWM-UPM	PWW cable for Grundfos UPM3 Hybrid circulating pump
8		CAVOCIRC-A	Power cable for Wilo Para circulating pumps
		CAVOPT90-UPM	Power cable for Grundfos UPM3 circulating pumps
9		SET-ST25/6	Set Wilo Para ST 25/6 iPWM provided with power and control cables
		SET-ST25/8	Set Wilo Para ST 25/8 iPWM provided with power and control cables
		SET-STG25/7	Set circolatore Wilo Para STG 25/7 comprensivo di cavi di alimentazione e comando
		SET-UPM3H/25	Set Grundfos UPM3 Hybrid 25-70 circulating pump provided with power and control cables
10	3/4"	MP03M/xxx430/A	Solar flow meter regulator with 3/4" filling and drain valves
	1"	MP04M/xxx430/A	Solar flow meter regulator with 3/4" filling and drain valves
	22 mm	MP45/xxx430/A	Solar flow meter regulator with 3/4" filling and drain valves
			"xxx" means the flow rate range: 1-06 (1-6 L/min); 2-12 (2-12 L/min); 8-28 (8-28 L/min); 8-38 (8-38 L/min)
11		AJCA45SET	Set 22mm compression olive and nut (4 x 2 pcs)
12		CHIWO2PLSET	Set hose union with nut, 2 pcs
13		SET-BHMXSOL1	1"1/2 EPDM peroxide gasket (10 pcs)

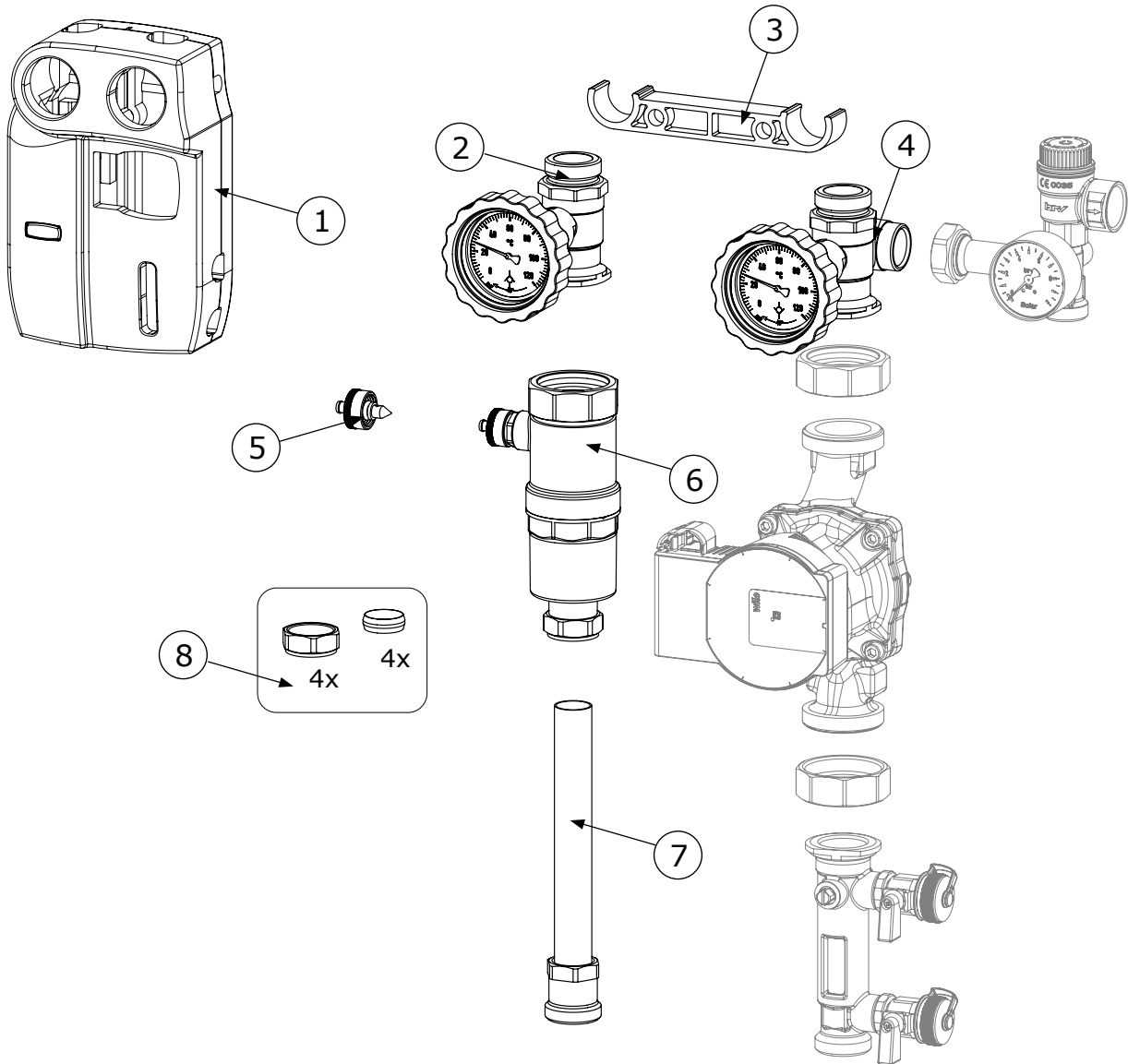
## S1 Solar 1 Pumpengruppen – Solar Thermal



Ref.	Conn.	Code	Description
1		SET-ISOL-S1	S1 Solar 1 insulation box
2	3/4"	0368M18/G/TER-B	Return solar ball valve. Flange suitable for 1"1/2 coupling nut
	1"	0368M04/G/TER-B	Return solar ball valve. Flange suitable for 1"1/2 coupling nut
	22 mm	0368M22/G/TER-B	Return solar ball valve. Flange suitable for 1"1/2 coupling nut

Für weitere Ersatzteile siehe Basiskomponenten Solar (Seite 18 )

## S3 Solar 3 Pumpengruppen – Solar Thermal



Ref.	Conn.	Code	Description
1		SET-ISOL-S3	Insulation box suitable for S2 Solar 2 and S2 Solar 3 solar stations
2	3/4"	0365R03/G/TER-R	Supply solar ball valve. Flange suitable for 1"1/2 coupling nut
	1"	0365R04/G/TER-R	Supply solar ball valve. Flange suitable for 1"1/2 coupling nut
	22 mm	0365R22/G/TER-R	Supply solar ball valve. Flange suitable for 1"1/2 coupling nut
3		DAOAMOD	Spacer bracket for thermometer handles
4	3/4"	0368M18/G/TER-B	Return solar 3-way ball valve. Flange suitable for 1"1/2 coupling nut
	1"	0368M04/G/TER-B	Return solar 3-way ball valve. Flange suitable for 1"1/2 coupling nut
	22 mm	0368M22/G/TER-B	Return solar 3-way ball valve. Flange suitable for 1"1/2 coupling nut
5		EHAX99SETS	Nut with pin for air venting
6		106651	Set air vent provided with 1"1/2 nut, 22mm compression nut and olive
7	3/4"	CFHG03M651	22mm copper pipe for air vent
	1"	CFHG04M651	22mm copper pipe for air vent
	22 mm	CFHG22M651	22mm copper pipe for air vent
8		AJCA45SET	Set 22mm compression olive and nut (4 x 2 pcs)

Für weitere Ersatzteile siehe Basiskomponenten Solar (Seite 18 )



Besuchen Sie [www.sawa-arion.com](http://www.sawa-arion.com)

**SAWA-ARION GmbH**

Seestraße 38

5322 Hof bei Salzburg

Telefon: +43 6229 20011-0

E-Mail: [info@sawa-arion.com](mailto:info@sawa-arion.com)

