

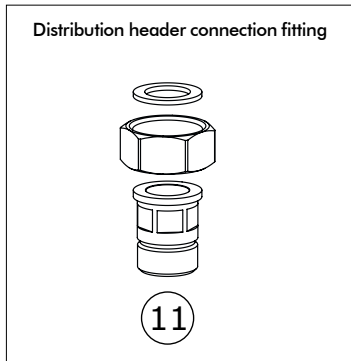
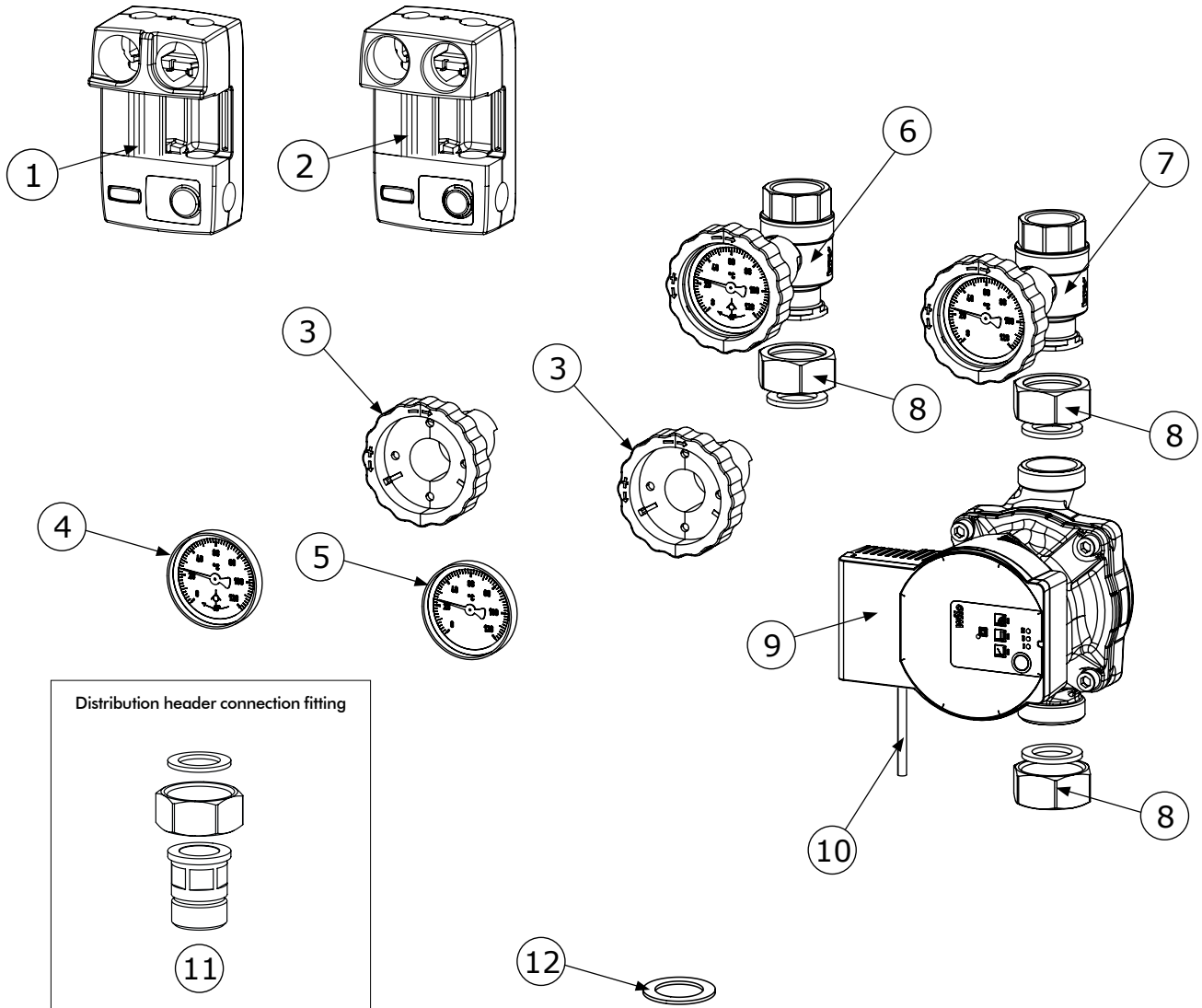


MODVLS

PUMPENGRUPPEN

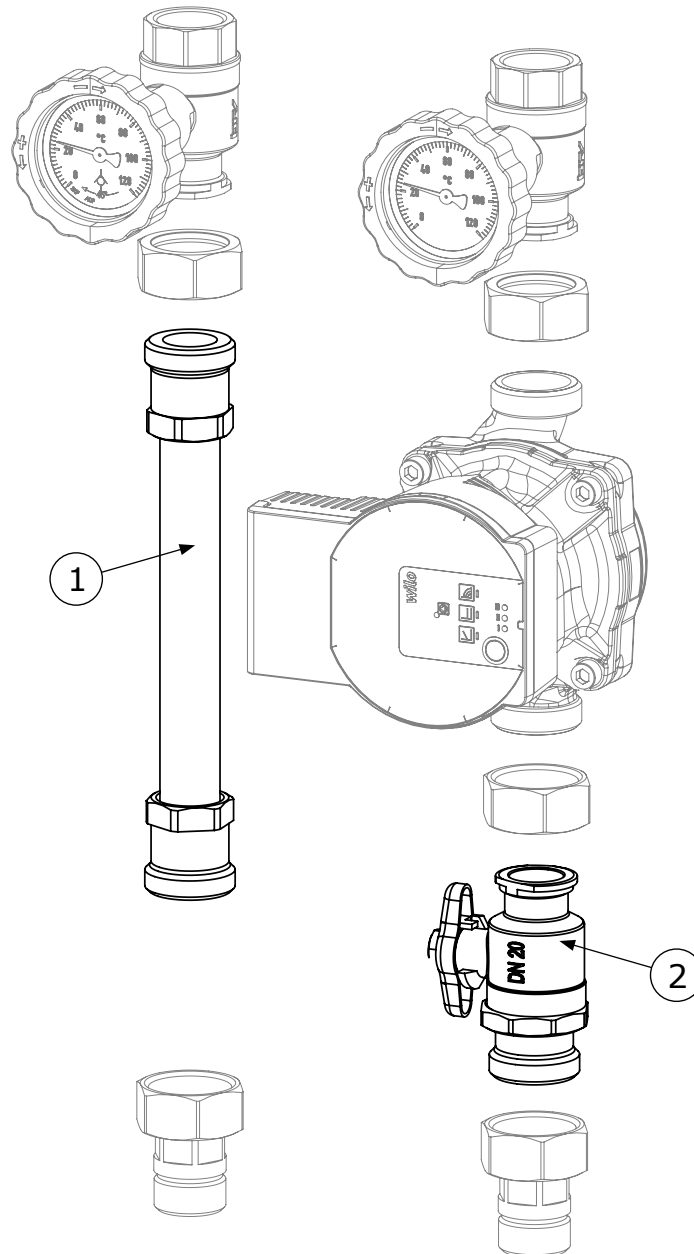
ERSATZTEILE 2023

Basiskomponenten – Serie DN20



Ref.	Code	Description
1	SET-ISOL-DN20	Modvlvs DN20 insulation box
2	SET-ISOL-DN20B	Modvlvs OEM DN20 black insulation box
3	BEISPT-50	Thermometer holder handle
4	DDOYBVNR-50	Blue thermometer with non return valve symbol
5	DDOYR-50	Red thermometer
6	03553RMS-TER-B	Return ball valve with non return valve and blue thermometer
7	03553AMS-TER-R	Supply ball valve with red thermometer
8	AYHT04SET	Set 1" nut and EPDM gasket
9	PARA15/6	Wilo Para 15/6 SC circulating pump provided with power cable
	PARA15/8	Wilo Para 15/8 SC circulating pump provided with power cable
	SET-UPM3S/15	Set Grundfos UPM3S Auto 15-60 circulating pump provided with power cable
10	CAVOCIRC-A	Power cable for Wilo Para circulating pumps, 1 m lenght
	CAVOPOT90-UPM	Power cable for Grundfos UPM3 circulating pumps, 1m lenght
11	103629F	Set 1" nut, EPDM gasket and 3/4" male adapter
12	SET-BHMX03E	1" EPDM peroxide gasket (20 pcs)

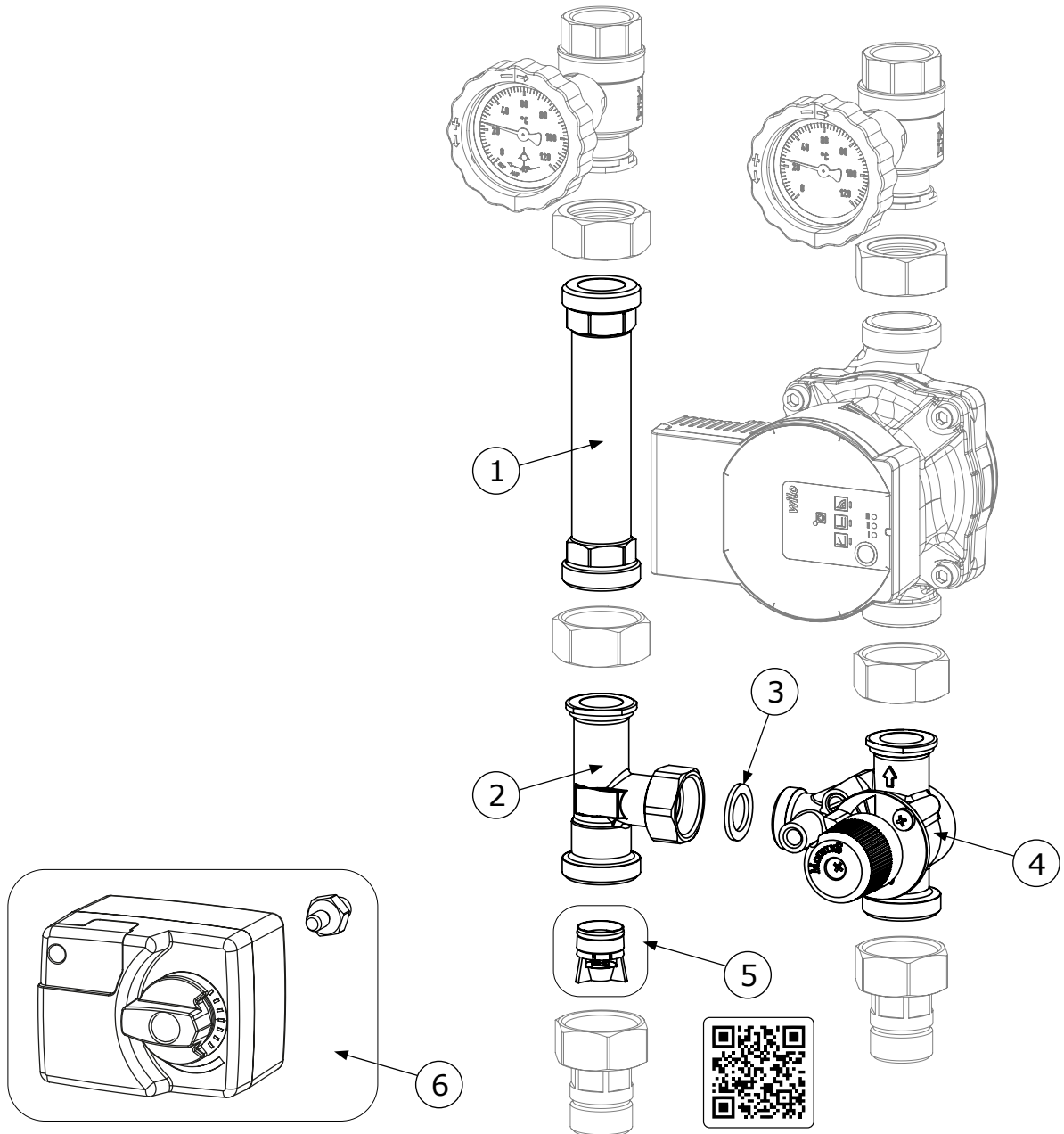
M2 Pumpengruppen – Serie DN20 Art-Nr. 20255B (-P6/UL7)



Ref.	Code	Description
1	CFHG04M2M	Long connecting pipe for unmixed pump units
2	03553AMMS	Supply ball valve with T-handle

Für weitere Ersatzteile siehe Basiskomponenten DN20 (Seite 2)

MIX 3 / MIX33 Pumpengruppen – Serie DN20 Art-Nr. 20255B-M33-P6TRM und 20255B-M33-U7TRM

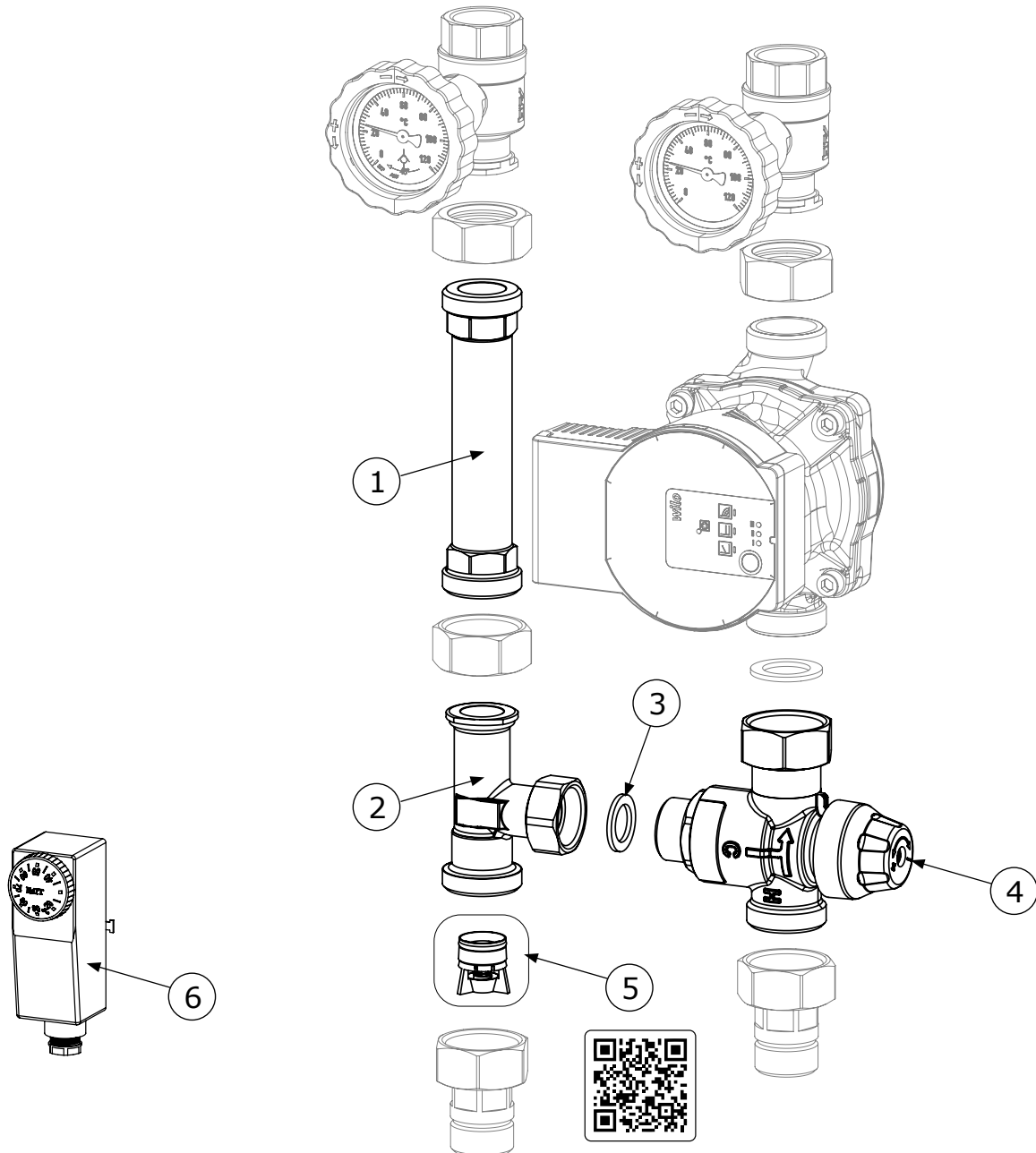


Ref.	Code	Description
1	CYNV04640	Short connecting brass pipe for mixed pump units, 130 mm
2	R021050L	T-connection for 3-way mixing valve
3	SET-CTIL03	3/4" fiber gasket (50 pcs)
4	M021050L	3-way mixing valve, Art. 1050
	M021051L	3-way mixing valve with by-pass, Art. 1051
5	CRKZ20TOT	Set 20 mbar non return valve, optional
6	TRM20	3 points bidirectional servomotor. 2 Nm, 230V

Für weitere Ersatzteile siehe Basiskomponenten DN20 (Seite 2)

FIX3 Pumpengruppen – Serie DN20

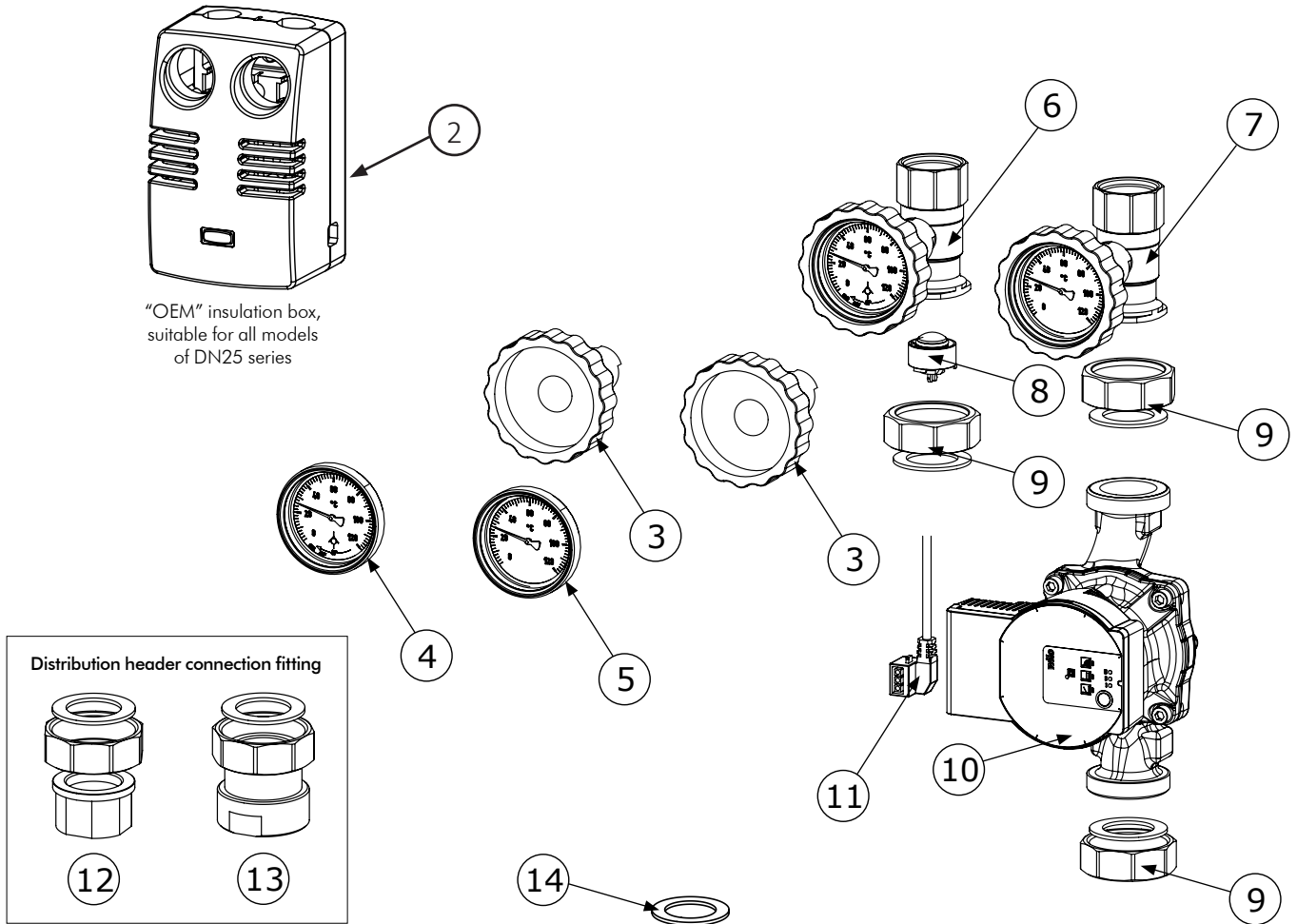
Art.Nr. 20255B-F1/F2-P6 und 20255B-F1/F2-UL7



Ref.	Code	Description
1	CYNV04640	Short connecting brass pipe for mixed pump units, 130 mm
2	R021050L	T-connection for 3-way mixing valve
3	SET-CTI03	3/4" fiber gasket (50 pcs)
4	04731C-04-F1-20M	"F1" Fixed temperature thermostatic mixing valve, range 20-45°C, Kvs 2.5
	04731C-04-F2-20M	"F2" Fixed temperature thermostatic mixing valve, range 45-70°C, Kvs 2.5
5	CRKZ20TOT	Set 20 mbar non return valve, optional
6	BRC	Safety bimetallic thermostat, range 20-90°C, optional

Für weitere Ersatzteile siehe Basiskomponenten DN20 (Seite 2)

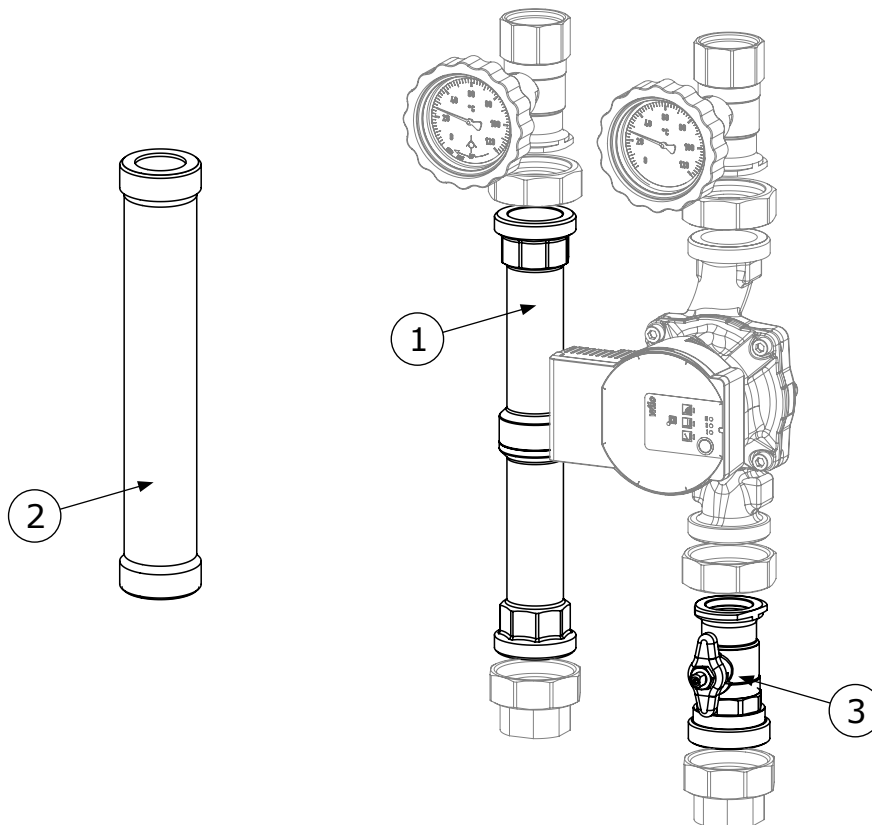
Basiskomponenten – Serie DN25



Ref.	Code	Description
2	SET-ISOL-M3B	Modvlvs OEM DN25 black insulation box
3	BEISPT	Thermometer holder handle
4	DDOYBVNR	Blue thermometer with non return valve symbol
5	DDOYR	Red thermometer
6	0355AMS-TER-B	Return ball valve with non return valve and blue thermometer
7	0355AMS-TER-R	Supply ball valve with red thermometer
8	10101	20 mbar non return valve
9	AYHT26SET	Set 1"1/2 nut and EPDM gasket
10	PARA25/6	Wilo Para 25/6 SC circulating pump provided with power cable
	PARA25/8	Wilo Para 25/8 SC circulating pump provided with power cable
	SET-UPM3S/25	Set Grundfos UPM3S Auto 25-60 circulating pump provided with power cable
	SET-STG25/7	Set Wilo Para STG 25/7 circulating pump provided with power and control cables
11	PARA25/6-B	Wilo Para Basic 25/6 circulating pump provided with power cable
	CAVOCIRC-A	Power cable for Para circulating pumps, 1 m length
	CAVOPOT90-UPM	Power cable for Grundfos UPM3 circulating pumps, 1m length
12	104629F	Set 1"1/2 nut, EPDM gasket and 1" female adapter
13	104629F-05	Set 1"1/2 nut, EPDM gasket and 1"1/4 female adapter

M2 Pumpengruppen – Serie DN25

Art. Nr. 21355B

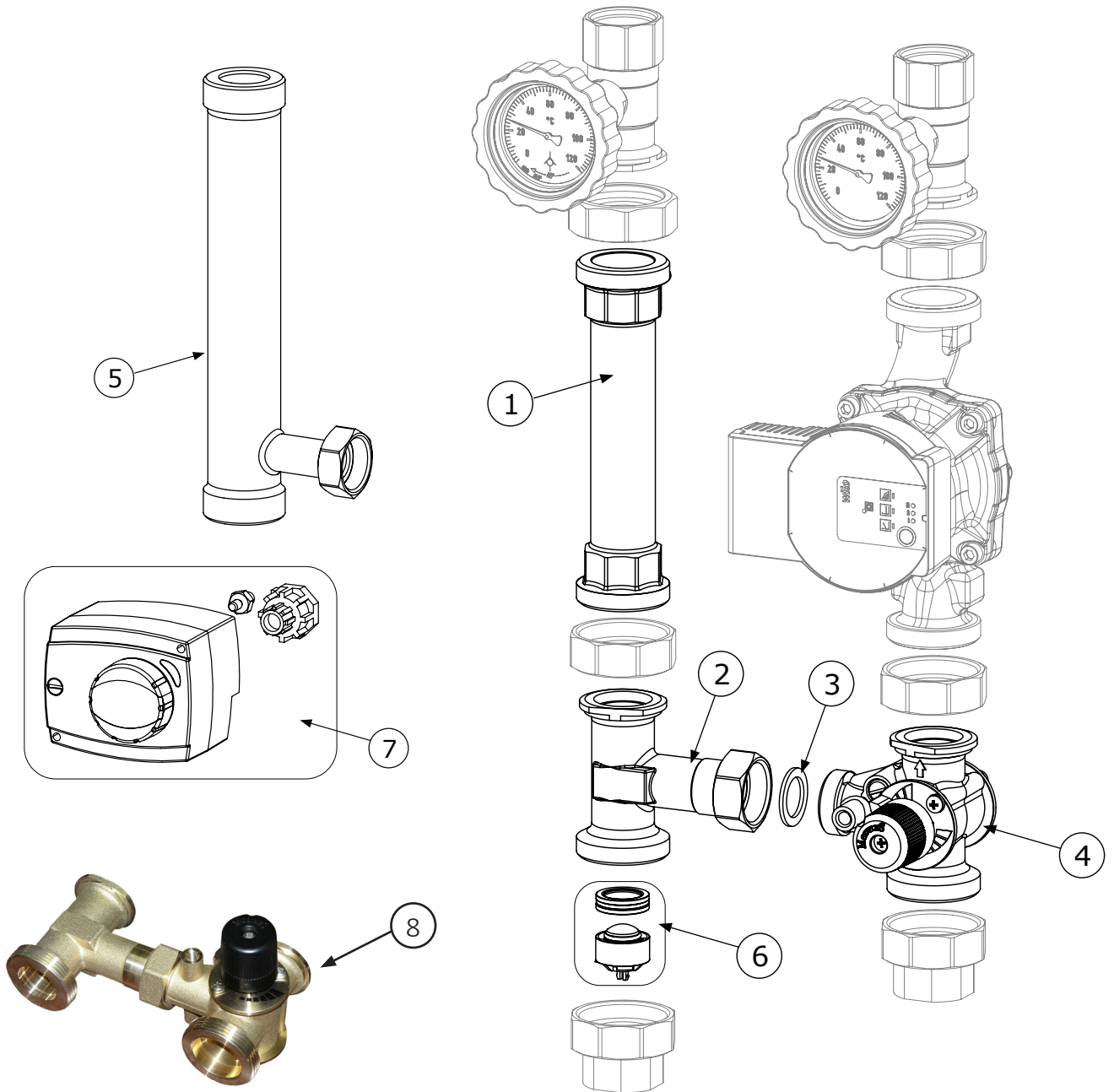


Ref.	Code	Description
1	CYNV138635	Long connecting brass pipe for unmixed pump units
2	CFIR264	Long iron connecting pipe with cataphoresis treatment for unmixed pump units
3	0355AMMS	Supply ball valve with T-handle

Für weitere Ersatzteile siehe Basiskomponenten DN25 (Seite 6)

MIX3 / MIX33 Pumpengruppen – Serie DN25

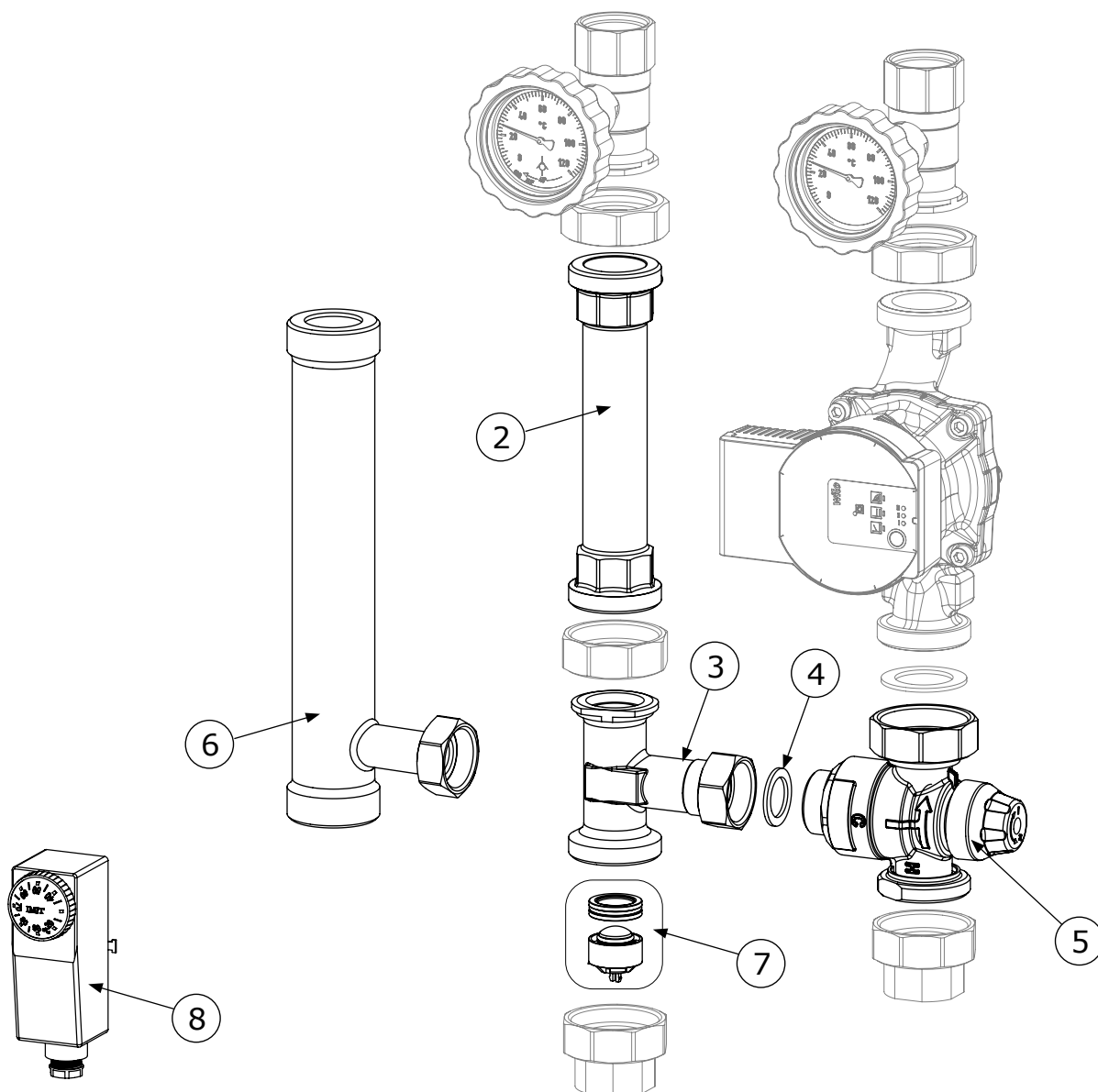
Art. Nr. 23355B-M33 und 23355B-M33-M21



Ref.	Code	Description
1	CYNV180635	Short connecting brass pipe for mixed pump units, 180 mm
2	R041050	T-connection for 3-way mixing valve
3	SET-CTIL04	1" fiber gasket (50 pcs)
4	M041050	3-way mixing valve, Art. 1050
	M041051	3-way mixing valve with by-pass, Art. 1051
5	CFIR264-M3M	Iron connecting pipe with cataphoresis treatment for pump units provided with rotary mixing valve
6	SET10101	Set 20 mbar non return valve with washer, optional
7	M21D	3 points bidirectional servomotor. 5 Nm, 2 min, 230V
	AHD20	Climatic control unit with servomotor and external probe. 6 Nm, 2 min 230V
8	1041051-ÜM	3-Wege-Mischer 3WM 1" mit Bypass inkl. Überwurfmutter

FIX3 Pumpengruppen – Serie DN25

Art. Nr. 23355B-F1/F2

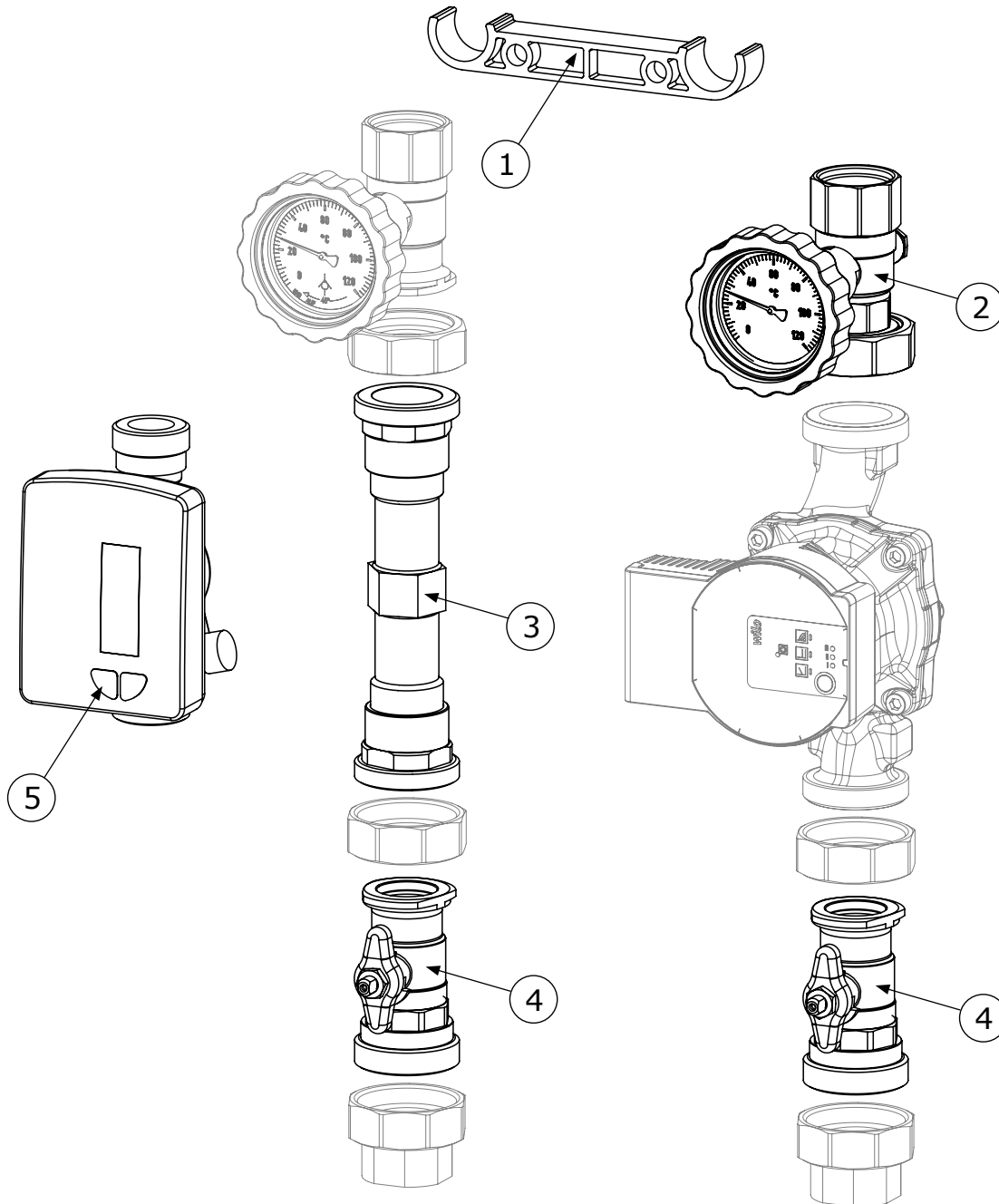


Ref.	Code	Description
1	SET-ISOL-FIX	Modvlvs DN25 Fix insulation box
2	CYNV180635	Short connecting brass pipe for mixed pump units, 180 mm
3	RO41050VTAR	T-connection for fixed temperature thermostatic mixing valve
4	SET-CTILO4	1" fiber gasket (50 pcs)
5	04736-F1	"F1" Fixed temperature thermostatic mixing valve, range 20-45°C, Kvs 2.5
	04736-F2	"F2" Fixed temperature thermostatic mixing valve, range 45-70°C, Kvs 2.5
	04736-F3	"F3" Fixed temperature thermostatic mixing valve, range 20-45°C, Kvs 4.0
	04736-F4	"F4" Fixed temperature thermostatic mixing valve, range 45-70°C, Kvs 4.0
	04736-F5	"F5" Fixed temperature thermostatic mixing valve, range 35-60°C, Kvs 4.0
6	CFIR264-F3M	Iron pipe with cataphoresis treatment for modules with fixed temperature thermostatic mixing valve
7	SET10101	Set 20 mbar non return valve with washer, optional
8	BRC	Safety bimetallic thermostat, range 20-90°C, optional

Für weitere Ersatzteile siehe Basiskomponenten DN25 (Seite 6)

ENERGY Pumpengruppen – Serie DN25

Art. Nr. 233518B-20 und 233518B-M33-20

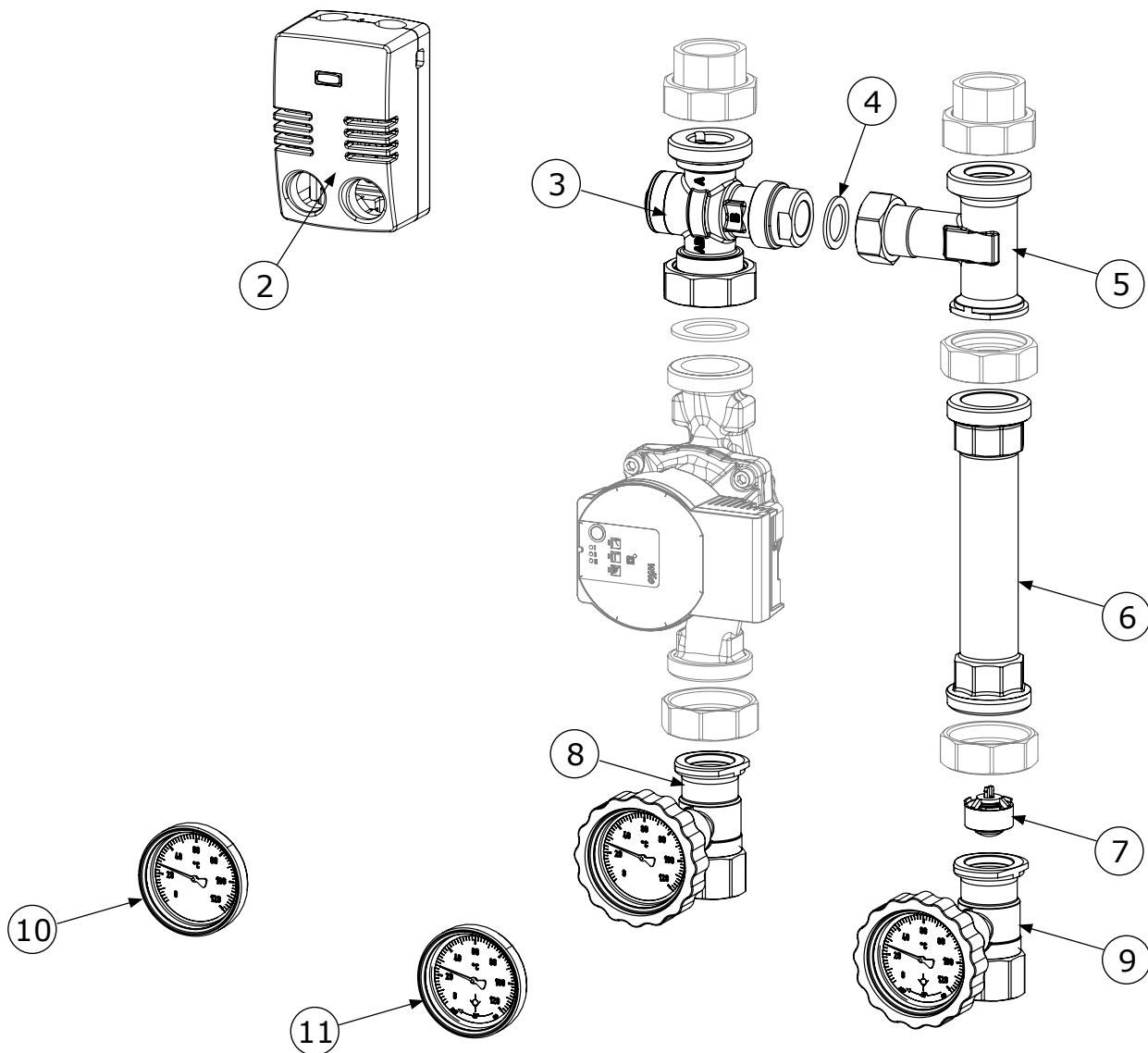


Ref.	Code	Description
1	DAOAMOD	Spacer bracket for thermometer handles
2	03518/GTER-R	Supply ball valve with sealable M10x1 ø5x45 mm connection for temperature probe
3	04670SET	Set connection and fittings for DN20 130mm meter
4	0355AMMS	Supply ball valve with T-handle
5	G21MID-2.5	MID approved energy meter - DN20 - Qn 2.5: 3/4" MID, 1" thread, 130 mm length

Für weitere Ersatzteile siehe Basiskomponenten DN25 (Seite 6)

M2 FIX3 CS Pumpengruppen – Serie DN25

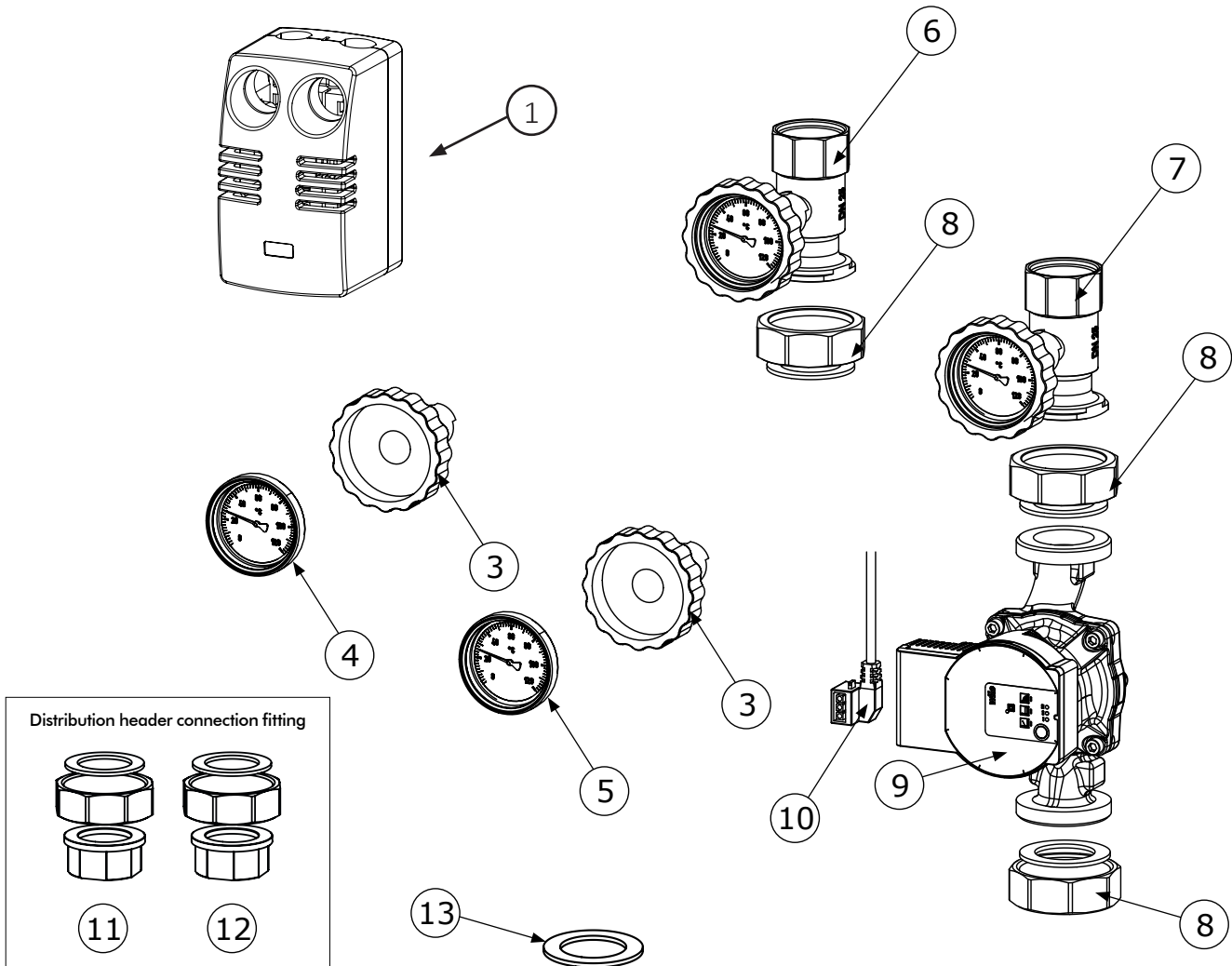
Art. Nr. 20355B-F5CS



Ref.	Code	Description
2	SET-ISOL-M3B	Modvlvs DN25 OEM black insulation box
3	04746-60/M	"F3" thermic valve with 60°C opening temperature
	04746-45/M	"F4" thermic valve with 45°C opening temperature
	04746-55/M	"F5" thermic valve with 55°C opening temperature
4	SET-CTIL04	1" fiber gasket (50 pcs)
5	R041050	T-connection for thermic valve
6	CYNV180635	Short connecting brass pipe for mixed pump units, 180 mm
7	10101	20 mbar non return valve
8	0355AMS-TER-BN	Return ball valve with blue thermometer
9	0355AMS-TER-RCS	Supply ball valve with non return valve and red thermometer
10	DDOYB	Blue thermometer for anti condensation pump units
11	DDOYR-CS	Red thermometer with non return valve symbol for anti condensation pump units

Für weitere Ersatzteile siehe Basiskomponenten DN2 (Seite 6)

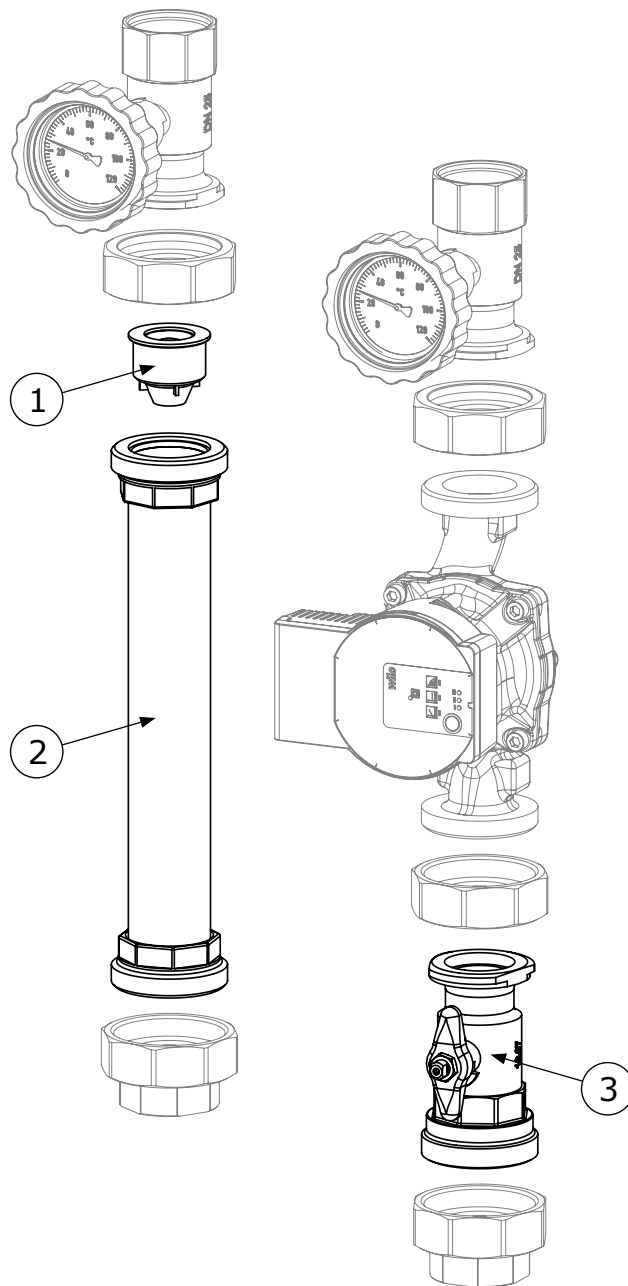
Basiskomponenten – Serie DN32



Ref.	Code	Description
1	SET-ISOL-M305	Modvlvs DN32 insulation box
2	SET-ISOL-M305B	Modvlvs OEM DN32 black insulation box
3	BEISPT	Thermometer holder handle
4	DDOYB	Blue thermometer
5	DDOYR	Red thermometer
6	0555AMS-TER-B	Return ball valve with blue thermometer
7	0555AMS-TER-R	Supply ball valve with red thermometer
8	AYHT07SET	Set 2" nut and EPDM gasket
9	ALPHA2L-32/6	Grundfos Alpha 1 L 32-60 circulating pump provided with power cable
	PARA30/7	Wilo Para 30/8 SC circulating pump provided with power cable
	SET-MA30/8	Wilo Para Maxo 30-180-08 circulating pump pre-cabled
10	CAVOCIRC-A	Power cable for Wilo Para circulating pumps, 1 m length
	CAVOPOT90-UPM	Power cable for Wilo Para Maxo circulating pumps, 1 m length
11	105629F	Set 2" nut, EPDM gasket and 1 1/4" female adapter
12	105629F-04	Set 2" nut, EPDM gasket and 1" female adapter
13	SET-BHMX07E	2" EPDM peroxide gasket (20 pcs)

M2 Pumpengruppen – Serie DN32

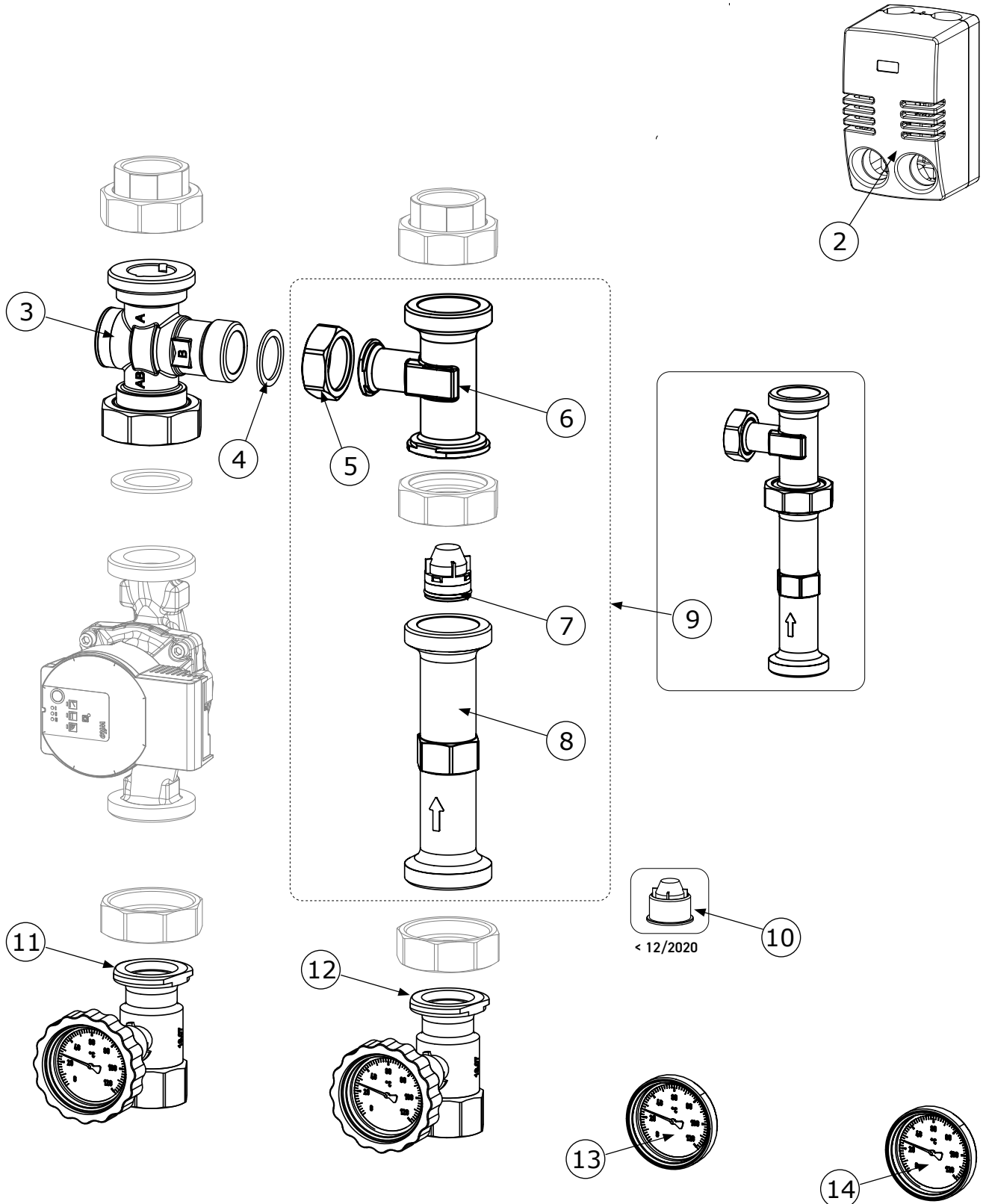
Art. Nr. 20555B



Ref.	Code	Description
1	10105	Bush with 20 mbar non return valve
2	CFHG05M	Long connecting pipe for unmixed pump units
3	0555AMMS	Supply ball valve with red thermometer

Für weitere Ersatzteile siehe Basiskomponenten DN32 (Seite 12)

M2 FIX3 CS Pumpengruppen – Serie DN32
 Art. Nr. 20555B-F5CS

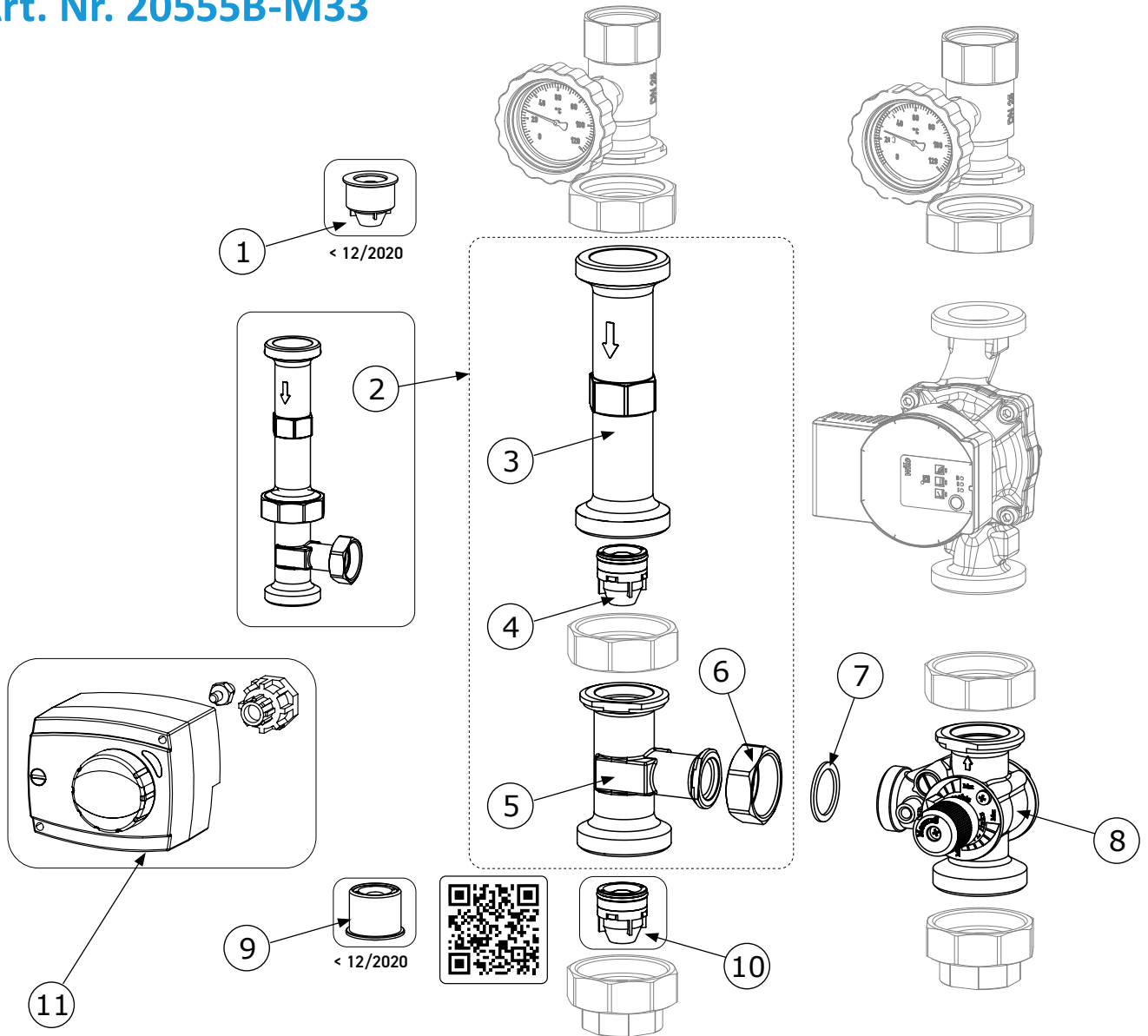


M2 FIX3 CS Pumpengruppen – Serie DN32

Ref.	Code	Description
2	SET-ISOL-M305B	ModvlvS DN32 OEM black insulation box
3	05746DN32-60/M	"F3" thermic valve with 60°C opening temperature
	05746DN32-45/M	"F4" thermic valve with 45°C opening temperature
	05746DN32-55/M	"F5" thermic valve with 55°C opening temperature
4	SET-CTIL05	1"1/4 fiber gasket (50 pcs)
5	BLFL05654P	1"1/4 Nut
6	CYNV061050	T-connection for thermic valve
7	CRKZOV32	20 mbar non return valve (for units with connecting brass pipe, starting from January 2021)
8	CYNV180635-32	Short connecting brass pipe for mixed pump units, 180 mm
9	R051050	Complete return connection set for DN32 mixed pump units
10	10105	Bush with 20 mbar non return valve (for groups with copper pipe, until December 2020)
11	0555AMS-TER-B	Return ball valve with blue thermometer
12	0555AMS-TER-R	Supply ball valve with red thermometer
13	DDOYB	Blue thermometer
14	DDOYR	Red thermometer

Für weitere Ersatzteile siehe Basiskomponenten DN32 (Seite 12)

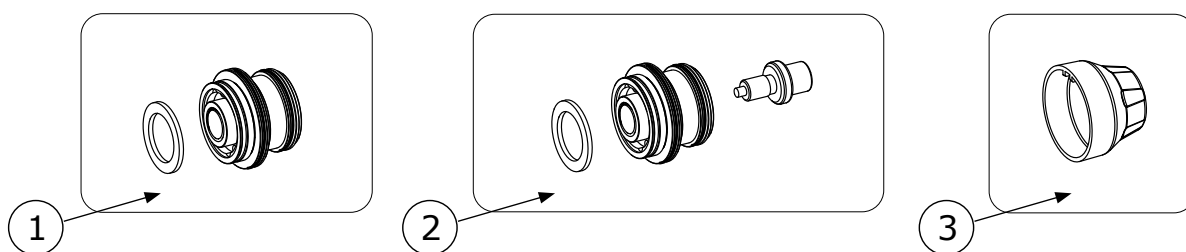
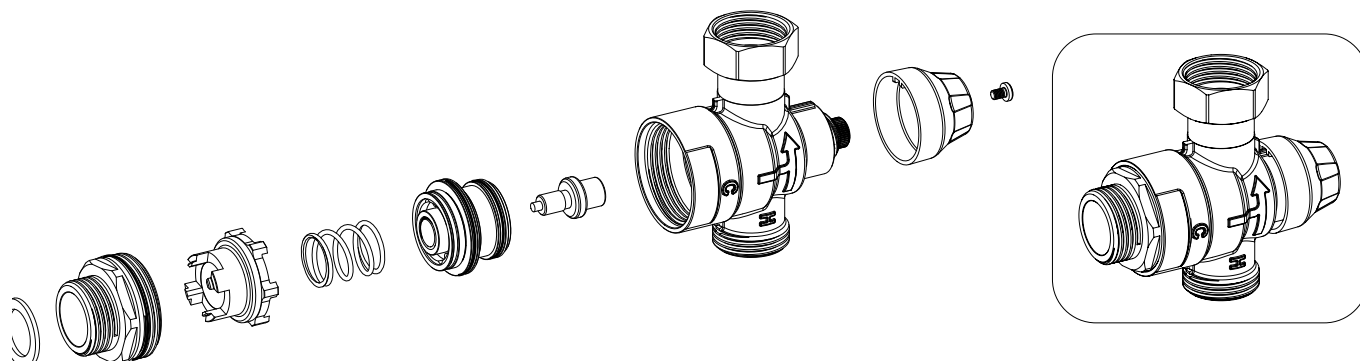
M2 MIX 3 / MIX33 Pumpengruppen – Serie DN32 Art. Nr. 20555B-M33



Ref.	Code	Description
1	10105	Bush with 20 mbar non return valve (for groups with copper pipe, until December 2020)
2	R051050	Complete return connection set for DN32 mixed pump units
3	CYNV180635-32	Short connecting brass pipe for mixed pump units, 180 mm
4	CRKZOV32	20 mbar non return valve (for units with connecting brass pipe, starting from January 2021)
5	CYNV061050	T-connection for 3-way mixing valve
6	BLFL05654P	1"1/4 Nut
7	SET-CTIL05	1"1/4 fiber gasket (50 pcs)
8	1051050	3-way mixing valve, Art. 1050
	1051051	3-way mixing valve with by-pass, Art. 1051
9	SET10105	Set 20 mbar non return valve, optional (for groups with copper pipe, until December 2020)
10	CRKZOV32	20 mbar non return valve, optional (for units with connecting brass pipe, starting from January 2021)
11	M21D	3 points bidirectional servomotor. 5 Nm, 2 min, 230V
	AHD20	Climatic control unit with servomotor and external probe. 6 Nm, 2 min 230V

Für weitere Ersatzteile siehe Basiskomponenten DN32 (Seite 12)

Mischventil F1/F2 (ab 09/2019)



✓ DN25 pump units: F1, F2, F5

DN25 - Kvs 2,5

Ref.	Code	Description
1	T736-25-2.5	Replacement shutter kit for all DN25 Kvs 2.5 thermostatic mixing valves
2	REPAIR-F1-25	Replacement kit containing Kvs 2.5 cartridge and sensor - Temperature 20-45°C
	REPAIR-F2-25	Replacement kit containing Kvs 2.5 cartridge and sensor - Temperature 45-70°C
	REPAIR-F5-25-2.5	Replacement kit containing Kvs 2.5 cartridge and sensor - Temperature 35-60°C
3	EBMH04736-F1	"F1" knob, for mixing valves 20-45°C
	EBMH04736-F2	"F2" knob, for mixing valves 45-70°C
	EBMH04726	"F5" knob, for mixing valves 35-60°C

✓ DN25 pump units: F3, F4, F5

✓ 687 / DomvS Clima: F3, F5

✓ ModvFresh 1: Kvs 4,0 - 35-60°C

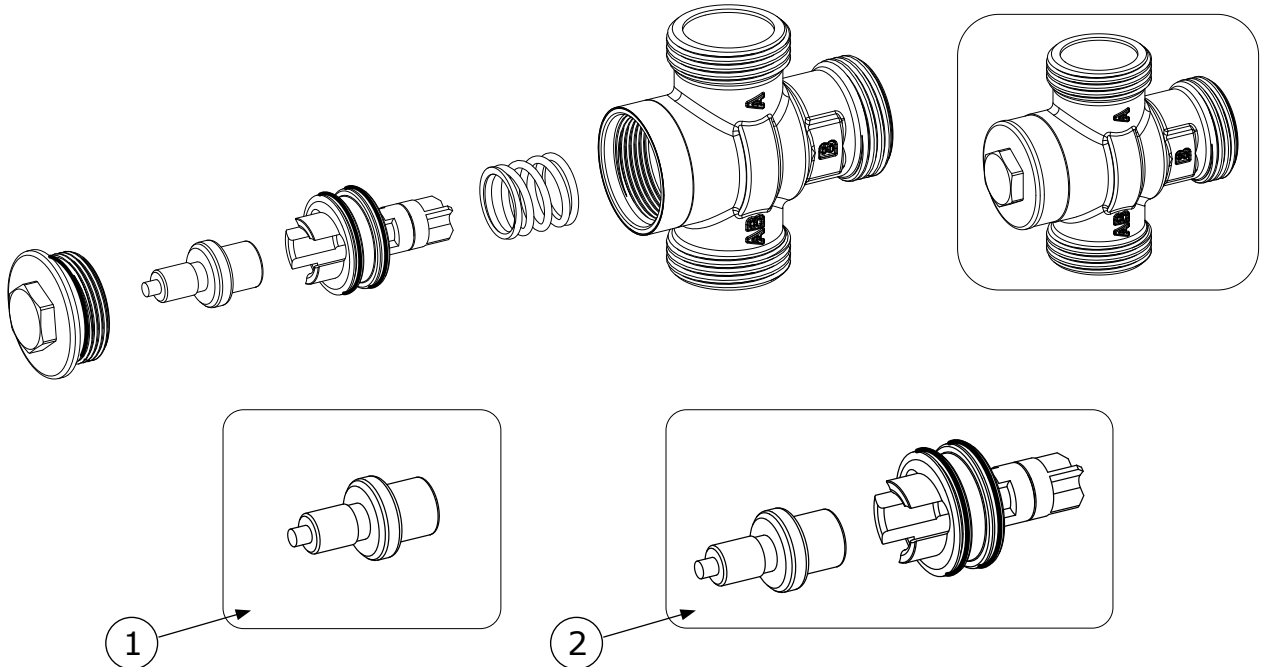
✓ DomvS Circ 1: Kvs 4,0 - 35-60°C

✓ DomvS Circ 2: Kvs 4,0 - 35-60°C

DN25 - Kvs 4,0

Ref.	Code	Description
1	T736-25-4.0	Replacement shutter kit for all DN25 Kvs 4.0 thermostatic mixing valves
2	REPAIR-F3-25	Replacement kit containing Kvs 4.0 cartridge and sensor - Temperature 20-45°C
	REPAIR-F4-25	Replacement kit containing Kvs 4.0 cartridge and sensor - Temperature 45-70°C
	REPAIR-F5-25-4.0	Replacement kit containing Kvs 4.0 cartridge and sensor - Temperature 35-60°C
3	EBMH04736-F3	"F3" knob, for mixing valves 20-45°C
	EBMH04736-F4	"F4" knob, for mixing valves 45-70°C
	EBMH04726	"F5" knob, for mixing valves 35-60°C

Thermoelement Rücklaufanhebung DN20 / DN25



✓ DN20 pump units: F3CS, F4CS, F5CS

✓ DN25 pump units: F3CS, F4CS, F5CS

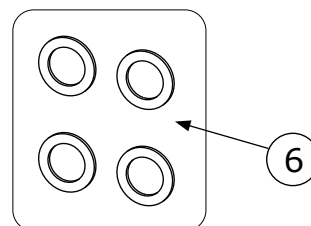
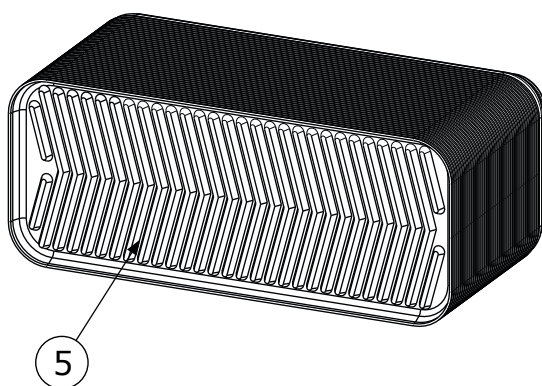
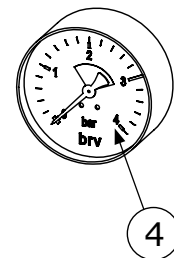
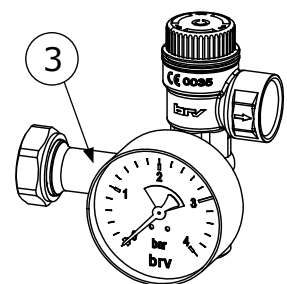
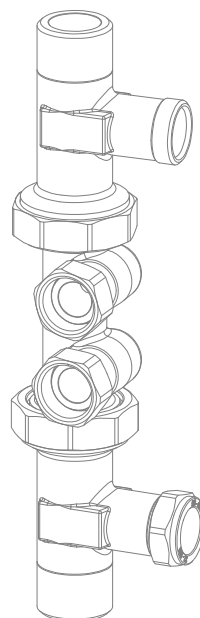
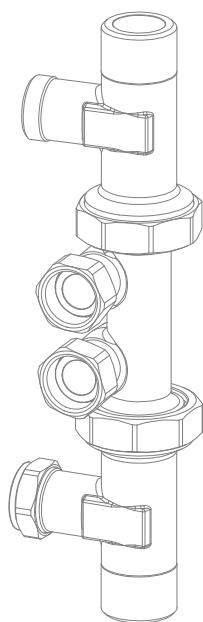
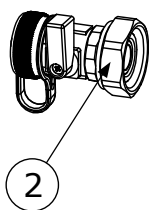
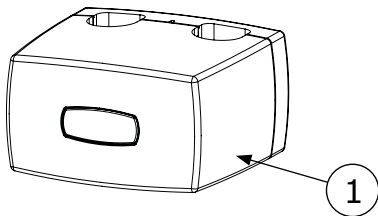
Ref.	Code	Description
1	T740-DN25-45	Thermostatic bulb for anti-condensation valves - Temperature 45°C
	T740-DN25-55	Thermostatic bulb for anti-condensation valves - Temperature 55°C
	T740-DN25-60	Thermostatic bulb for anti-condensation valves - Temperature 60°C
	T740-DN25-70	Thermostatic bulb for anti-condensation valves - Temperature 70°C
	T740-DN25-80	Thermostatic bulb for anti-condensation valves - Temperature 80°C
2	T746-25-45	Thermostatic bulb and shutter set for anti-condensation valves - Temperature 45°C
	T746-25-55	Thermostatic bulb and shutter set for anti-condensation valves - Temperature 55°C
	T746-25-60	Thermostatic bulb and shutter set for anti-condensation valves - Temperature 60°C
	T746-25-70	Thermostatic bulb and shutter set for anti-condensation valves - Temperature 70°C
	T746-25-80	Thermostatic bulb and shutter set for anti-condensation valves - Temperature 80°C

✓ DN32 pump units: F3CS, F4CS, F5CS

Ref.	Code	Description
1	T740-DN32-45	Thermostatic bulb for anti-condensation valves - Temperature 45°C
	T740-DN32-55	Thermostatic bulb for anti-condensation valves - Temperature 55°C
	T740-DN32-60	Thermostatic bulb for anti-condensation valves - Temperature 60°C
	T740-DN32-72	Thermostatic bulb for anti-condensation valves - Temperature 72°C
2	T746-32-45	Thermostatic bulb and shutter set for anti-condensation valves - Temperature 45°C
	T746-32-55	Thermostatic bulb and shutter set for anti-condensation valves - Temperature 55°C
	T746-32-60	Thermostatic bulb and shutter set for anti-condensation valves - Temperature 60°C
	T746-32-72	Thermostatic bulb and shutter set for anti-condensation valves - Temperature 72°C

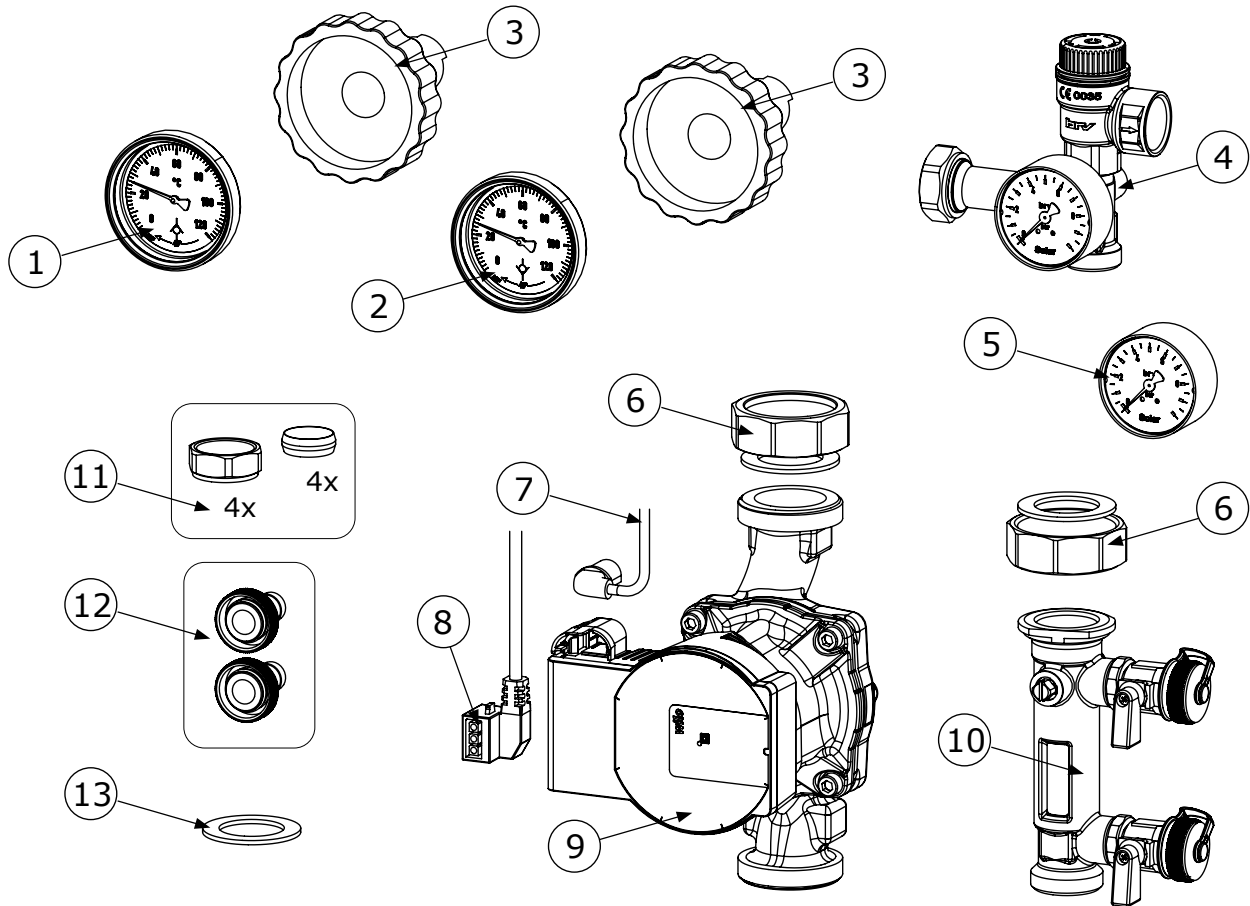
M2 Wärmetauscher-Trennset – Serie DN25

Art. Nr. 203646xxkw



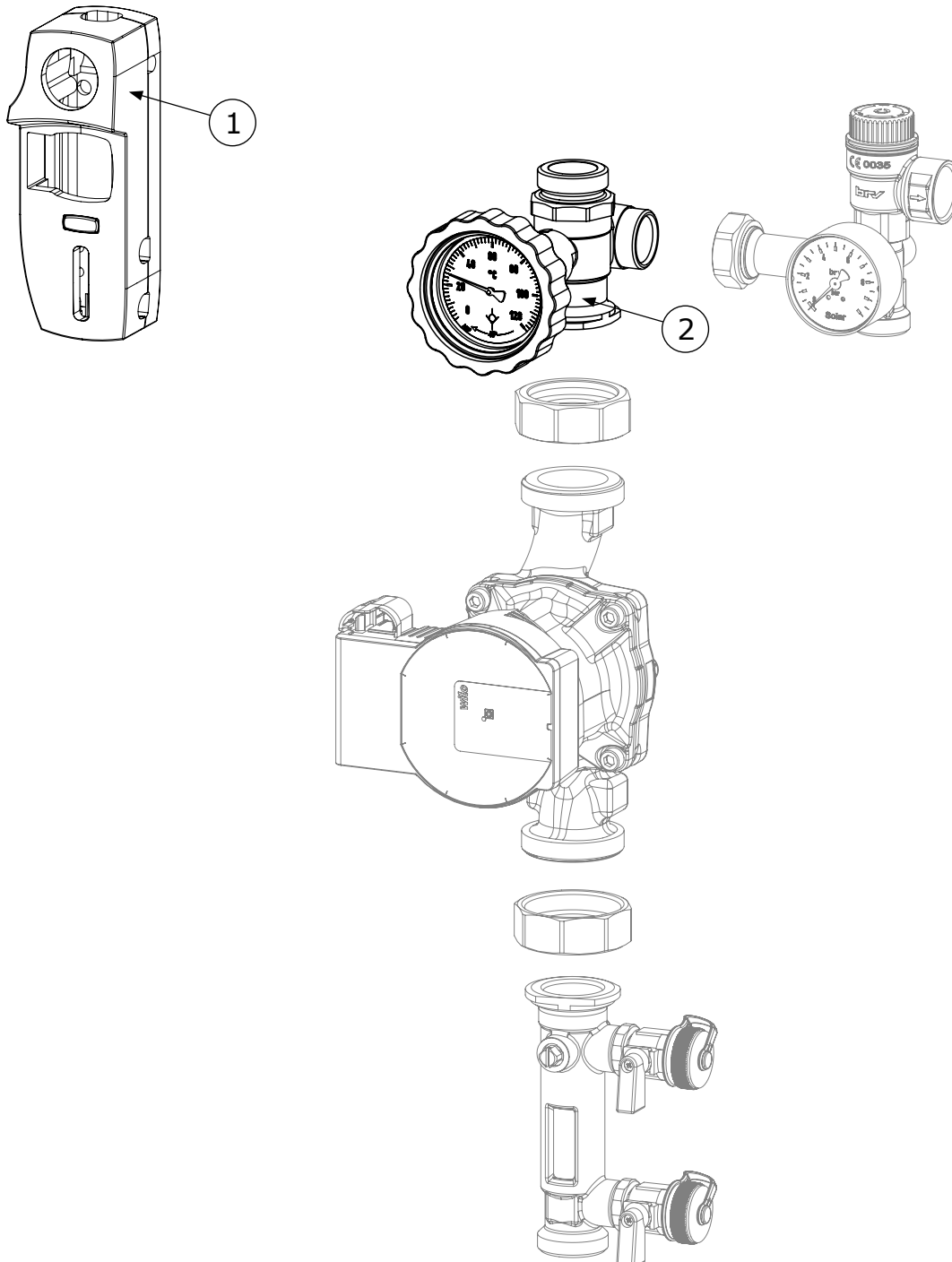
Ref.	Code	Description
1	SET-ISOL-EXC	M2 Exchange insulation box
2	01646R-430SCASET	Filling and draining valve
3	03647D-3C-4SET	Safety group 3 bar
4	DDOYHZ63	ø63 mm pressure gauge - 4 bar
5	E5PI14	Heat exchanger for 12 kW
	E5PI18	Heat exchanger for 16 kW
	E5PI24	Heat exchanger for 20 kW
	E5PI40	Heat exchanger for 30 kW
6	CTILO3ASET	3/4" fiber gasket for heat exchanger (20 pcs)

Basiskomponenten MODVSOL – Solar Thermal



Ref.	Conn.	Code	Description	
1		DDOYRS	Solar red thermometer mit non return valve symbol	
2		DDOYBS	Solar blue thermometer with non return valve symbol	
3		BEISPT	Thermometer holder handle	
4		03647D-6S-10SET	Solar safety group, 6 bar	
5		DDOYNG63	Solar pressure gauge ø50 mm - 10 bar	
6		AYHT26SET	Set 1"1/2 nut and EPDM gasket	
7		PRESAPR71B	PWM cable for Wilo Para circulating pumps	
		CAVOPWM-UPM	PWW cable for Grundfos UPM3 Hybrid circulating pump	
		CAVOCIRC-A	Power cable for Wilo Para circulating pumps	
8		CAVOPT90-UPM	Power cable for Grundfos UPM3 circulating pumps	
		SET-ST25/6	Set Wilo Para ST 25/6 iPWM provided with power and control cables	
		SET-ST25/8	Set Wilo Para ST 25/8 iPWM provided with power and control cables	
9		SET-STG25/7	Set circolatore Wilo Para STG 25/7 comprensivo di cavi di alimentazione e comando	
		SET-UPM3H/25	Set Grundfos UPM3 Hybrid 25-70 circulating pump provided with power and control cables	
		3/4"	MP03M/xxxx430/A	Solar flow meter regulator with 3/4" filling and drain valves
10		1"	MP04M/xxxx430/A	Solar flow meter regulator with 3/4" filling and drain valves
		22 mm	MP45/xxxx430/A	Solar flow meter regulator with 3/4" filling and drain valves
		"xxxx" means the flow rate range: 1-06 (1-6 L/min); 2-12 (2-12 L/min); 8-28 (8-28 L/min); 8-38 (8-38 L/min)		
11		AJCA45SET	Set 22mm compression olive and nut (4 x 2 pcs)	
12		CHIWO2PLSET	Set hose union with nut, 2 pcs	
13		SET-BHMXSOL1	1"1/2 EPDM peroxide gasket (10 pcs)	

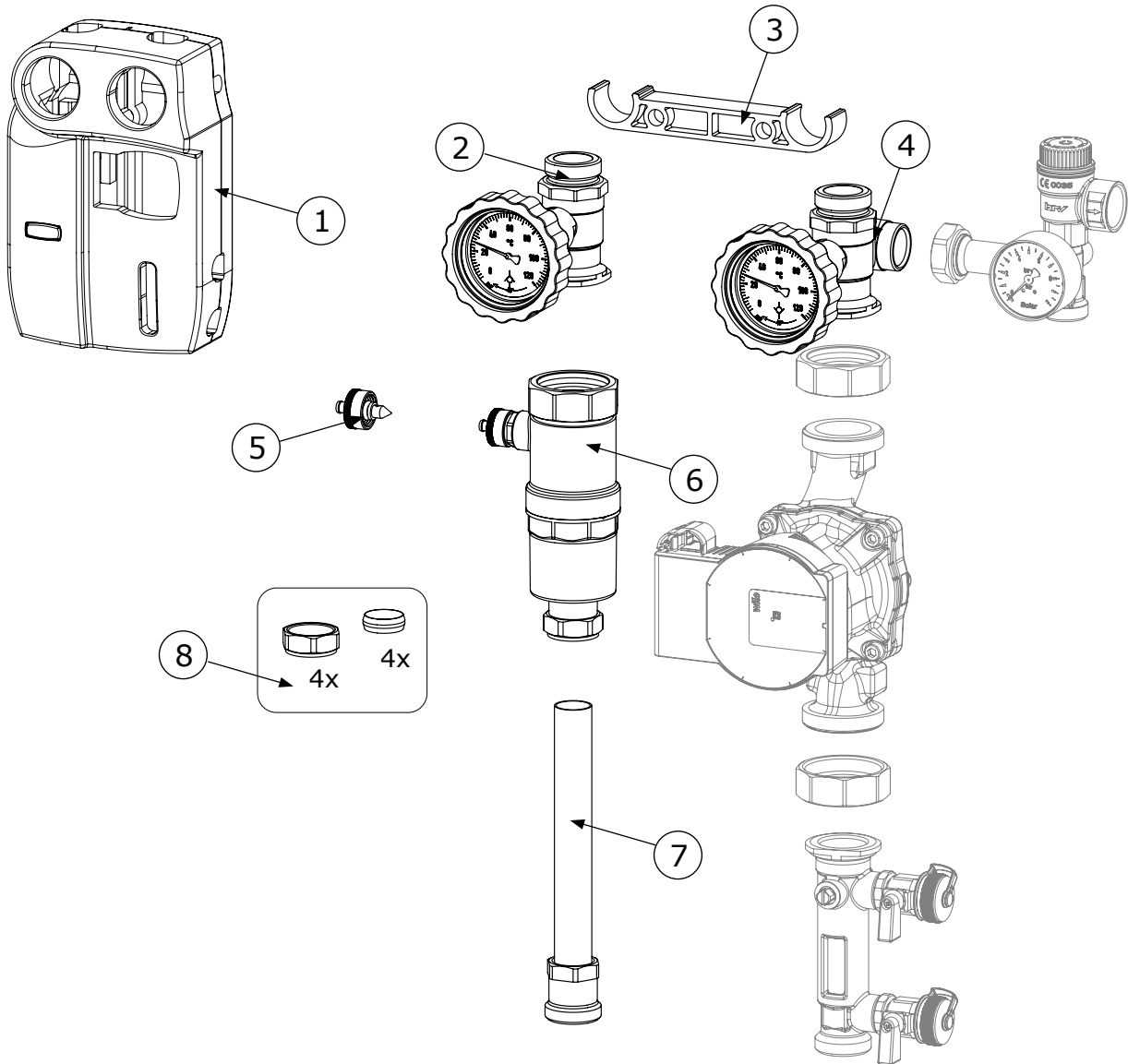
S1 Solar 1 Pumpengruppen – Solar Thermal



Ref.	Conn.	Code	Description
1		SET-ISOL-S1	S1 Solar 1 insulation box
2	3/4"	0368M18/G/TER-B	Return solar ball valve. Flange suitable for 1"1/2 coupling nut
	1"	0368M04/G/TER-B	Return solar ball valve. Flange suitable for 1"1/2 coupling nut
	22 mm	0368M22/G/TER-B	Return solar ball valve. Flange suitable for 1"1/2 coupling nut

Für weitere Ersatzteile siehe Basiskomponenten Solar (Seite 18)

S3 Solar 3 Pumpengruppen – Solar Thermal



Ref.	Conn.	Code	Description
1		SET-ISOL-S3	Insulation box suitable for S2 Solar 2 and S2 Solar 3 solar stations
2	3/4"	0365R03/G/TER-R	Supply solar ball valve. Flange suitable for 1"1/2 coupling nut
	1"	0365R04/G/TER-R	Supply solar ball valve. Flange suitable for 1"1/2 coupling nut
	22 mm	0365R22/G/TER-R	Supply solar ball valve. Flange suitable for 1"1/2 coupling nut
3		DAOAMOD	Spacer bracket for thermometer handles
4	3/4"	0368M18/G/TER-B	Return solar 3-way ball valve. Flange suitable for 1"1/2 coupling nut
	1"	0368M04/G/TER-B	Return solar 3-way ball valve. Flange suitable for 1"1/2 coupling nut
	22 mm	0368M22/G/TER-B	Return solar 3-way ball valve. Flange suitable for 1"1/2 coupling nut
5		EHAX99SETS	Nut with pin for air venting
6		106651	Set air vent provided with 1"1/2 nut, 22mm compression nut and olive
7	3/4"	CFHG03M651	22mm copper pipe for air vent
	1"	CFHG04M651	22mm copper pipe for air vent
	22 mm	CFHG22M651	22mm copper pipe for air vent
8		AJCA45SET	Set 22mm compression olive and nut (4 x 2 pcs)

Für weitere Ersatzteile siehe Basiskomponenten Solar (Seite 18)



Besuchen Sie www.sawa-arion.com

SAWA-ARION GmbH

Seestraße 38

5322 Hof bei Salzburg

Telefon: +43 6229 20011-0

E-Mail: info@sawa-arion.com

